

Aeroquip 4S/6S Spiral Hose Fittings

4S/6S

Eaton's high performance spiral hose fitting design with DURA-SEAL™ technology



EATON

Powering Business Worldwide

Class "0" Cool-Down leakage
Superior corrosion resistance
Hose/fitting identification program

Eaton's 4S/6S spiral advantage

Higher operating performance • Superior corrosion resistance • Hose/fitting identification program

Eaton designs its hose and hose fittings so that when assembled together our customers have an engineered hose assembly system that will exceed the customer's hydraulic system requirements providing longer hose assembly life which results in less equipment down-time. Eaton's engineered hose assembly system approach is what differentiates Eaton from other suppliers in the marketplace, especially those suppliers that only design and

manufacture hose or those suppliers that only design and manufacture hose fittings, resulting in an assembly of mixed supplier components. The key to higher performance hydraulic hose assemblies is based on designing, manufacturing, assembling, and testing the components as a system. The new 4S/6S spiral hose fitting offering is a key component of the Eaton engineered hose assembly system.



Eaton's 4S/6S spiral advantage

Will reduce complexity in hose fitting selection in assembling with the correct Eaton hose, plus a reduction in customer inventory costs.

Eaton's technological advancements in spiral hose & hose fitting designs

Introducing Eaton's next generation spiral hose fitting design. This new series of spiral hose fittings incorporates major advancements in fitting design that provides a higher performing spiral hose assembly for the most demanding applications while using a simple more user friendly three step hose and hose fitting assembly process. The 4S/6S hose assemblies meet / exceed all standard global industry specifications. The "4S/6S" fitting series refers to the 4-spiral and 6-spiral wire reinforcement of the hose approved with the respective "4S" and "6S" series fittings.



1. DURA-SEAL™ technology

This patent-pending innovation from Eaton eliminates hose assembly cool-down leakage, while extending hose assembly life, reducing equipment down-time.

2. DURA-KOTE™ plating technology

Hose fittings that will now offer 3x's the corrosion protection on carbon steel fittings as compared to competitive hose fittings. Eaton's DURA-KOTE fittings provide up to 1000 hours of corrosion protection. This is a huge step forward in metal fitting corrosion protection.

3. MatchMate™ spiral - hose/fitting identification system

User friendly system that helps the assembler of spiral hose and hose fittings quickly and easily identify the correct hose and hose fitting to be crimped together providing a more reliable / safe product. This also reduces scrap costs from assembling the wrong hose and hose fitting.



Class "0" Cool-Down leakage

Superior corrosion resistance

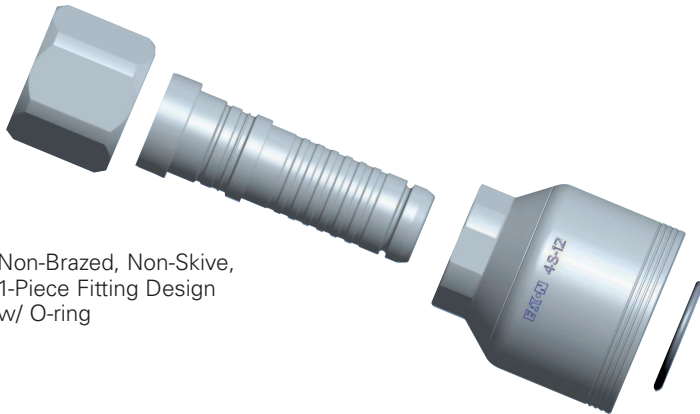
User-friendly hose/fitting identification system



DURA-SEAL™ Technology

DURA-SEAL™ technology = Class "0" Cool-down leakage + higher operating performance

Eaton's 4S/6S spiral hose fittings feature a unique patent-pending O-ring seal on the nipple that ensures class 0 cool-down leakage and longer hose assembly life in the most demanding applications. Tests have shown that this revolutionary technology meets SAEJ1176 Class 0 cool-down leakage in high impulse pressure tests with no moisture formulating at the end of the hose socket during system shutdown and start-up. Class 0 is the highest classification rating for leak-free performance of hose and fittings. Eaton previously developed this technology for use on the Eaton "1W" internal skive fittings which resulted in outstanding higher hose assembly operating performance. With this Eaton technology offered in both the ultimate performance internal skive fitting design and now offered in a one-piece non-skive fitting design, Eaton is leading the industry in spiral hose assembly performance.



Non-Brazed, Non-Skive, 1-Piece Fitting Design w/ O-ring



Cool-Down leakage classification – SAEJ1176

O-ring nipple design provides class-0 cool down leakage in accordance with SAE J1176 leak free classifications

Class 0	No indication of moisture
Class 1	Nonrecurring fluid
Class 2	Recurring fluid that does not result in the formation of a droplet
Class 3	Recurring fluid that results in the formation of a non-falling droplet
Class 4	Recurring fluid where a droplet forms and falls
Class 5	Recurring fluid where the frequency of droplets makes a measurable stream

Features and benefits



One Piece Non-Skive Fitting	Reduces errors of matching correct socket with nipple
Non-Brazed (one-piece machined) nipples	Eliminates possibility of braze joint failures in the field
"Captive" terminal end nuts	Reduces chance of damage from over-torquing during hose assembly installation
Smaller profile fitting design	Easier to install hose assembly in tight spaces
MatchMate Spiral System	Hose and fittings are marked to prevent chance of errors when selecting the correct hose and fitting to be crimped together
Standardization	Meets / exceeds global industry specifications
DURA-KOTE Plating	Eaton's next generation plating provides up to 1000 hours of corrosion resistance, far exceeding SAE J514 specifications

DURA-KOTE™ Plating Technology

DURA-KOTE™ plating = Superior corrosion resistance

Corrosion resistance is a necessity on nearly every application of hydraulic fluid conveyance products. Unplated carbon steel fluid conveyance products can begin rusting within hours of exposure to the elements. Now Eaton, a world leader in power management and hydraulic systems, has raised the bar on corrosion resistance. Introducing DURA-KOTE plating technology, delivering significantly higher level of corrosion resistance on carbon steel fluid conveyance products.

DURA-KOTE plating technology now comes standard on most carbon steel fluid conveyance products, so you get products that look better, last longer, cost less to maintain.

- Testing in accordance to ASTM B117 salt spray requirements, Eaton fluid conveyance components with DURA-KOTE plating technology were rated up to 1,000 hours of corrosion resistance, far exceeding SAEJ514 requirements.
- Up to three times more protection compared to earlier generations of plating—without changing the look, feel or performance of Eaton's carbon steel fluid conveyance products.
- Commonly used in oil and gas, construction, agriculture, mining, manufacturing, and transportation.

No compatibility issues when using existing carbon steel parts with former plating and parts with the improved DURA-KOTE plating. The Eaton carbon steel fluid conveyance products you rely on today will look, feel and perform exactly the same as previous products.

- Same form and functional capabilities
- Standard SAE torque values and pressure ratings
- Same silver appearance
- Same procedures for assembly

Corrosion protection

3x's better corrosion protection (up to 1000 hours), higher impulse cycle performance, one-piece non-brazed nipples



Corrosion resistance

Corrosion of current carbon steel adapters after 650 hours of exposure to salt spray testing.



Eaton



Competitor X



Competitor Y

Learn more about how Eaton's new standard in corrosion resistance can help make your fluid conveyance components look better, last longer and operate more efficiently. Contact your sales representative about DURA-KOTE plating technology or visit www.eaton.com/Dura-Kote

As you can see in the photos above, carbon steel fluid conveyance products protected with Eaton's DURA-KOTE plating technology resist rust longer than other carbon steel products available today.

MatchMate™ spiral hose/fitting identification system

MatchMate Spiral = User friendly hose/fitting identification program

Expanding upon our World Class MatchMate program for Eaton braided and 100R12 hoses, we are now offering a new easy matching identification program for our entire spiral hose product offering. In addition, the 4S/6S hose fittings are part of our Eaton

Engineered Hose Assembly System which ensures that matched components are used in a crimped hose assembly that meets/exceeds the industry specifications.

4S/6S Hose and fitting identification/matching system

Eaton Fitting part number provides user with an easy method to match the correct hose and hose fitting for assembly.

Example using fitting part number 4S16FL16

- Hose Fitting Series (4S or 6S)
- End Connection Size (-16)
- End Connection Code ("FL" is a code 61 flange)
- Hose Dash Size (-16)

4S **16** **FL** **16**

- 4 rings on socket refers to 4-spiral hose (4S)
- 6 rings on socket refers to 6-spiral hose (6S)



"4S-16" marking on socket identifies: Hose type: 4-Spiral (4S) Hose Dash size: -16

Simplicity. That's the core of Eaton's 4S/6S program. With the MatchMate Spiral matching and mating system, Eaton has made it much easier to select the correct spiral fitting to be assembled on Eaton's spiral hoses.

Eaton laylines are identified with "4S" or "6S" on hoses approved with 4S or 6S fittings. Eaton fittings are identified with 4 or 6 rings AND "4S" or "6S" with hose dash size on the socket.

- All "4S" fittings are marked so they are easily matched to identification marking on the correct 4-spiral hoses
- All "6S" fittings are marked so they are easily matched to identification marking on the correct 6-spiral hoses

It's that simple.

Simplifying the selection of the correct hose and hose fitting to be crimped together eliminates confusion for the assembler. This leads

to increased productivity, and offers greater safety for end users once assembly is installed in the hydraulic system.

Eaton 4-Spiral hoses qualified with 4S fitting

For use with hoses:

EC525, GH493, FC736, FC500, FC636, FC273B, GH506, FC254, EC600, EC810



Reference the Eaton Aeroquip® Hose Assembly Master Catalog A-HOOV-MC001-E3 for more information on spiral hoses.

Eaton 6-Spiral hoses qualified with 6S fitting

For use with hose: FC606, FC500, FC273B, EC810, GH466

Safety & assembly

Eaton's hydraulic hose and fitting assembly product warning

Flexible hose lines offer many advantages over rigid tubing including routing ease, vibration absorption, sound deafening and the ability to accommodate movement of connected components. However, hose lines require caution in use not only to provide long service, but also to guard against potentially dangerous failure.

Important

The user should carefully observe the precautions listed in this catalog, including the recommendations on the selection of hose & fittings on the relevant pages. In addition, care should be taken not to exceed the minimum bend radius listed for each hose size, and type in the hose section. Maximum operating pressure should not exceed pressures listed in the hose data. Instructions for assembling fittings to different hose should be followed carefully to ensure the performance of the completed assembly.

Warning

Flexible hose lines offer many advantages over rigid tubing including routing ease, vibration absorption, sound deafening and the ability to accommodate movement of connected components. However, hose lines require caution in use not only to provide long service, but also to guard against potentially dangerous failure.

Warning

Application considerations must be observed in selecting appropriate components for the application of these products contained herein. The failure to follow the recommendations set forth in this catalog may result in an unstable application which may result in serious personal injury, property damage and/or death.

Warning

Eaton or any of its affiliates or subsidiaries shall not be subject to and disclaims any obligations or liabilities (including but not limited to all consequential, incidental and contingent damages) arising from tort claims (including without limitation negligence and strict liability) or other theories of law with respect to any hose assemblies not produced from genuine Eaton hose fittings, hose and Eaton approved equipment, and in conformance with Eaton's process and product instructions for each specific hose assembly.

Failure to follow these processes and product instructions and limitations could lead to premature hose assembly failures resulting in property damage, serious injury or death.

Assembly instructions

Cut hose

1. Calculate cut length of hose by subtracting the "D" dimension from both ends (see fitting information for "D" dimensions).
2. Cut hose to proper length as shown below.
3. Angle on cut ends must not exceed 5°
4. Do not kink or bend hose beyond minimum bend radius during handling
5. Take care not to damage hose cover during handling.

Clean hose

1. At a minimum the hose assembly should be blown out with clean compressed air. Eaton recommends using the Eaton Contamination Control System.
2. Assemblies may be rinsed out with hot water at 65°C (150°F) max, or use Eaton's projectile contamination control system shown in bulletin E-HOIN-TT032-E.

Assemble fittings

1. Inspect fitting for the presence of an O-ring. O-ring must be installed on nipple.
2. Mark both ends of hose with fitting insertion depth noted in the assembly equipment & tooling table in the back of this catalog
3. Place sufficient lube in ID of hose for easier insertion. Check compatibility.
4. Do not place lube directly on nipple O-ring
5. Insert fitting fully into hose until socket is aligned with insertion depth.
6. Check fitting orientation if required.

Crimp fittings to hose

1. Use only approved Eaton assembly equipment.
2. Follow standard crimping procedures available in Power-Source or contact Eaton Technical Support for additional details.

How to order

Accurate processing and prompt delivery of your order depends on easy identification of your requirements. Please order Eaton brand parts using correct part numbers as described in this catalog. Inquiries and orders should be directed to your Eaton Fluid Conveyance Distributor or:

Eaton Corp.
14615 Lone Oak Rd.
Eden Prairie, MN 55344
1-952-937-9800
1-888-258-0222
Fax: 952-974-7722
www.eaton.com/hydraulics

Part numbers and dash sizes

Dash size designates the nominal size of 16ths of an inch. This number immediately follows the part number and is separated from it with a dash.

Dimensions

Dimensions given in this catalog for Eaton products are approximate and should be used for reference only. Exact dimensional information for a given product is subject to change and varying tolerances; contact Eaton directly for full current information.

Globally standardized pressure ratings

Eaton has standardized hose burst and operating pressure ratings in cataloging, worldwide. This move toward standardization will slightly alter some of the pressure ratings listed for hoses in this catalog as pressures are rounded off. This is a paper conversion only. This action has no effect on the actual testing and certification of Eaton hoses to stringent product standards.

Warning

Hose assemblies

Eaton manufactures the terminal ends of our hose fittings to the appropriate requirements established by the SAE. Therefore, the performance ratings of these hose fittings meet the SAE requirements. It is possible to order a hose assembly with a fitting terminal end that has a performance rating lower than the hose rating. When ordering hose assemblies, please keep the connecting end performance rating in mind since this may affect overall hose assembly performance. Hose assembly components (hose and fittings) are easily assembled in the field. However, factory assembled reusable and crimped hose assemblies are available. For complete information, contact Eaton.

Socket data

Markings on crimp fittings

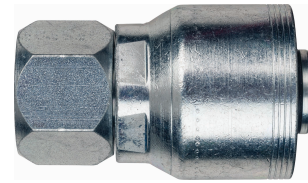
Use of correct Eaton fitting with a given Eaton hose is essential for proper assembly and performance. All Eaton 4S/6S fittings are marked with the product group, 4S or 6S, and the dash size. Using this number, from the following table, the correct hose may be found and dash sizes matched, to ensure the correct combination.

Global identification marking

Global non-skive fitting sockets for four-spiral and six-spiral hose in all sizes have four or six rings plus a scribe mark and either 4S-size or 6S-size etched on the socket. Global hose fittings are identified with an Eaton trademark and the hose dash size. In addition, global sockets are identified with the following:

Identification marking	Fitting style	Hose/Socket description
4 rings 1 scribe mark and 4S socket 4S-(size)	Spiral non-skive	Four spiral wire hose
6 rings 1 scribe mark and 6S socket 6S-(size)	Spiral non-skive	Six spiral wire hose

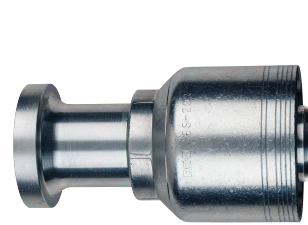
4S Fitting



4S Socket



6S Fitting



6S Socket



O-ring for Hose Nipple

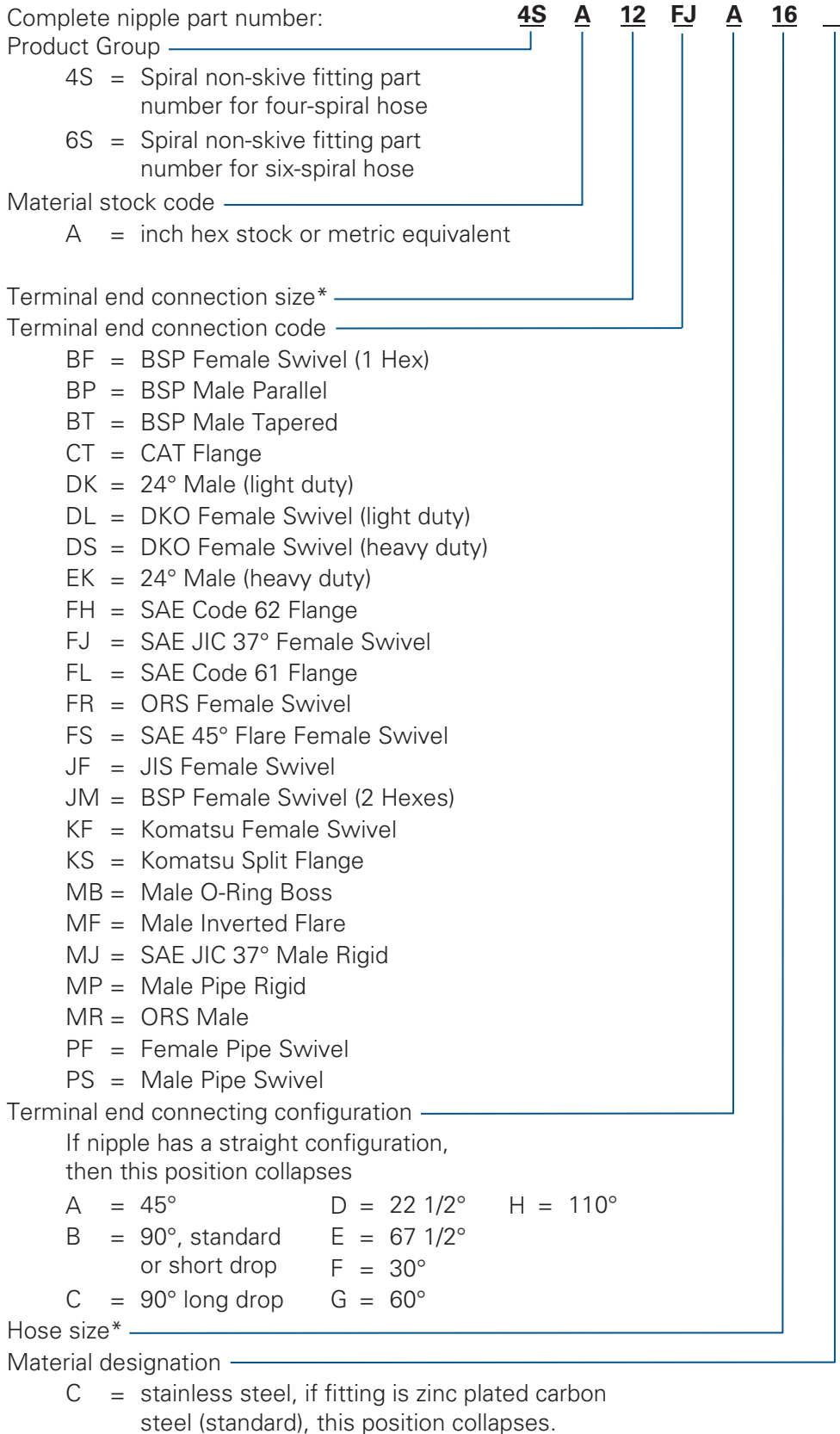
Part #	Fitting (Hose) Dash Size
FF91157-12	-12
FF91157-16	-16
FF91157-20	-20
FF91157-24	-24
FF91157-32	-32

Weatherhead catalog hose fitting size reference

Example	Example
SAE JIC/37° Female Swivel – Straight for “4S” series	SAE Code 61 Flange – Straight for “6S” series
<ul style="list-style-type: none"> Eaton global fitting part # 4SA12FJ16 (must order part using this part #) Weatherhead size reference # 16-612 (for reference only – cannot order part using this number) <ul style="list-style-type: none"> Hose size: -16 Fitting terminal end size & type: -612 	<ul style="list-style-type: none"> Eaton global fitting part # 6S32FL24 (must order part using this part #) Weatherhead size reference # 24-G32 (for reference only – cannot order part using this number) <ul style="list-style-type: none"> Hose size: -24 Fitting terminal end size & type: -G32
View of fitting section in catalog:	View of fitting section in catalog:
4SA12FJ16 (16-612)	6S32FL24 (24-G32)

Eaton's hose fitting part numbering system – 4S/6S

Global crimp nipples/fittings



* When ordering sizes 3, 4, 5, 6 and 8 the part number requires only single digits

Hose fitting pressure chart for 4S/6S fittings only

Thread style pressure performance

Eaton closely follows industry standards in design and in application recommendations. A key principle within ISO, SAE and other standards bodies is that the **MAXIMUM WORKING PRESSURE OF THE HOSE OR ADAPTER ASSEMBLY IS THE**

Note: The tables below are applicable for low carbon free machining steels typically used in Fluid Power connections. For port type connections, the material and design of the port must be considered and may reduce expected strength. For high pressure

LESSER OF THE HOSE AND END CONNECTOR(S) USED.

The first table below provides excerpts from standard Industry pressure rating charts for connector types as Published by SAE (Society of Automotive Engineers.)

applications Eaton recommends the use of more robust connector designs such as Code 62 flange or O-Ring face seal.

Selected SAE pressure ratings in PSI

Dash Size	Inch Size	37° JIC SAE J514	NPT/NPTF SAE J476	ORS SAE J1453	Male Flareless SAE J514	Code 61 SAE J518	Code 62 SAE J518
-12	3/4	3000	2500	6000	3000	5000	6000
-14	7/8	2500			2500		
-16	1	2500	2000	6000	2500	5000	6000
-20	1 1/4	2000	1150	3600	2000	4000	6000
-24	1/12	1500	1000	3600	1500	3000	6000
-32	2	1125	1000	3000	1125	3000	6000

International pressure ratings in PSI

Hose Fitting Connection	Tube O.D	-12	-15	-16	-20	-22	-25	-28	-32	-35	-42
Male British Pipe (BSP)		4000		3500	2500						
Female British Pipe (BSP)		4000		3500	2500						
Female Pipe (JIS)		4000		4000							
DKO s.Rh w/ Oring (Heavy)		9100		5800	5800		5800		3650		3650
DKO l.Rh w/ Oring (Light)		3650	3650			2300		1450		1450	1450

All Eaton components

With higher pressures it is critical to know the construction materials and manufacturing method to ensure performance. When all components in a system are Eaton supplied, for example an Eaton hose fitting is mated with an Eaton adapter or tube fitting, the combination may be used at higher pressures

with confidence. These higher ratings are noted in the chart below. **MAXIMUM WORKING PRESSURE OF THE HOSE OR ADAPTER ASSEMBLY IS THE LESSER OF THE HOSE AND END CONNECTOR(S) USED.**

All Eaton pressure ratings in PSI^{1&2} for 4S/6S Hose Fittings

Dash Size	Inch Size	37° JIC SAE J514	NPT/NPTF SAE J476	ORS SAE J1453	Male Flareless SAE J514	Code 61 SAE J518	Code 62 SAE J518
-12	3/4	5000	5000	6000	3000	5000	6000
-14	7/8	5000			2500		
-16	1	5000	4000	6000	2500	5000	6000
-20	1 1/4	5000	3000	4500	2000	4000	6000
-24	1 1/2	2100	2000	4000	1500	3000	6000
-32	2	1750	2000	3000	1125	3000	6000

Note:

1. Eaton fittings are tested to industry standards and beyond to insure a long life. All assemblies listed in the All "Eaton Pressure Ratings" table have passed impulse testing at 133% of operating pressure up to 1 million cycles and meet a 4:1 burst pressure.
2. When assembled with all Eaton components, all SAE 37° JIC male and female terminal ends in the 4S & 6S product line are rated at the pressures listed in the table above and have passed one million impulse cycles at 133% of this pressure. All straight configurations achieve a 4:1 burst. The 45° and 90° elbow configurations in the -12 size meet a 3.2:1 burst the 45° and 90° elbow configurations in the -16 size achieve a 2.8:1 burst; the 45° and 90° elbow configurations in the -20 size meet a 4:1 burst and the 45° & 90° elbow configurations in the -24 size meet a 2.4:1 burst.

Design & application

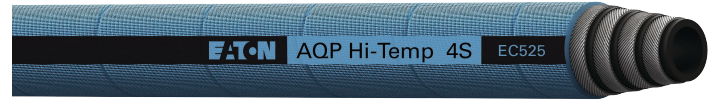
Eaton's Fluid Conveyance engineering and support teams have many decades of experience in designing, manufacturing and servicing hydraulic and other fluid conveyance systems globally. Eaton's product line is designed as a comprehensive collection of hose, fittings, connectors, couplings and accessories that allow a system designer to select components to complete a fluid power system or a service technician to replace a component with confidence. The individual

product specifications, the above pressure ratings and other technical information are intended as supporting guidelines for system design and service needs and are not to be construed as a guarantee of performance of the system or of individual Eaton components. Eaton provides comprehensive technical support so please call with questions about pressure needs not covered by these charts or for specific application support.

4S/6S Approved hoses

EC525

Premium high temperature spiral hose



# Part Number	Hose I.D.			Hose O.D.		Max Operating Pressure		Burst Pressure		Minimum Bend Radius		Weight	
	DN	mm	in	mm	in	bar	psi	bar	psi	mm	in	kg/m	lbs/ft
EC525-12	19	19,0	0.75	31,5	1.24	345,0	5000	1380,0	20000	241,3	9.50	1,28	0.86
EC525-16	25	25,4	1.00	38,5	1.52	345,0	5000	1380,0	20000	304,8	12.00	1,73	1.16
EC525-20	31	31,8	1.25	47,5	1.87	240,0	3500	960,0	14000	419,1	16.50	2,31	1.55
EC525-24	38	38,1	1.50	59,9	2.16	240,0	3500	960,0	1400	508,0	20.00	2,86	1.99
EC525-32	51	50,8	2.00	68,5	2.70	225,0	3250	900,0	1300	635,0	25.00	4,42	2.97

Construction

- AQP elastomer tube
- 4-spiral wire reinforcement
- AQP elastomer high temperature cover

Operating temperature range

-40°C to +150°C
(-40°F to +302°F)

Application

Hydraulic system service with petroleum, fire-resistant, and water-base fluids, fuel, and lubricating systems.

Fitting Reference

Hose size	Series
-12	4S
-16	4S
-20	4S
-24	4S
-32	4S

FC636

Specialty spiral hose

EPDM

SAE 100R12



# Part Number	Hose I.D.			Hose O.D.		Max Operating Pressure		Burst Pressure		Minimum Bend Radius		Weight	
	DN	mm	in	mm	in	bar	psi	bar	psi	mm	in	kg/m	lbs/ft
FC636-12	19	19,0	0.75	31,5	1.24	275,0	4000	1100,0	16000	241,0	9.50	1,31	0.88
FC636-16	25	25,4	1.00	38,6	1.52	275,0	4000	1100,0	16000	305,0	12.00	1,74	1.17
FC636-20	31	31,8	1.25	47,5	1.87	207,0	3000	828,0	12000	419,0	16.50	2,31	1.55
FC636-24	38	38,1	1.50	54,9	2.16	172,0	2500	688,0	10000	508,0	20.00	2,92	1.96

Construction

- Synthetic EPDM tube
- 4-spiral wire reinforcement,
- Green EPDM synthetic cover

Operating temperature range

-40°C to +75°C
(-40°F to +175°F)

Application

Ground support equipment (GSE), industrial phosphate ester based fluids, water glycol systems. For more information on specific fluid applications and high temperature ratings.

Fitting Reference

Hose size	Series
-12	4S
-16	4S
-20	4S
-24	4S

4S/6S Approved hoses

GH493

Premium R12 Spiral hose
1/2 SAE Bend radius
SAE 100R12, EN 856 Type R12
EN 856 4SP Operating pressure



Triple Crown

- Pressure
- Temperature
- Abrasion resistance

# Part Number	Hose I.D.			Hose O.D.		Max Operating Pressure		Burst Pressure		Minimum Bend Radius		Weight	
	DN	mm	in	mm	in	bar	psi	bar	psi	mm	in	kg/m	lbs/ft
GH493-12	19	19,0	0.75	31,7	1.25	380,0	5500	1520,0	22000	120,0	4.72	1,34	0.90
GH493-16	25	25,4	1.00	39,4	1.55	350,0	5100	1400,0	20400	150,0	5.91	1,78	1.20
GH493-20	31	31,8	1.25	48,6	1.91	310,0	4500	1240,0	18000	210,0	8.27	2,41	1.62
GH493-24	38	38,1	1.50	55,0	2.17	275,0	4000	1100,0	16000	250,0	9.89	3,00	2.01
GH493-32	51	50,8	2.00	68,3	2.69	275,0	4000	1100,0	16000	320,0	12.60	4,37	2.94

Construction

- Synthetic rubber tube
- 4-spiral wire reinforcement
- Synthetic DURA-TUFF™ for excellent abrasion resistance

Operating temperature range

-40°C to +127°C
(-40°F to +260°F)

Application

- Hydraulic system service with petroleum and water-base fluids, for general industrial use.
- MSHA

Fitting Reference

Hose size	Series
-12	4S
-16	4S
-20	4S
-24	4S
-32	4S

FC736

Premium abrasion resistant R12 Spiral hose
SAE 100R12, EN 856 Type R12



# Part Number	Hose I.D.			Hose O.D.		Max Operating Pressure		Burst Pressure		Minimum Bend Radius		Weight	
	DN	mm	in	mm	in	bar	psi	bar	psi	mm	in	kg/m	lbs/ft
FC736-12	19	19,0	0.75	31,7	1.25	280,0	4050	1120,0	16200	240,0	9.45	1,32	0.89
FC736-16	25	25,4	1.00	39,4	1.55	280,0	4050	1120,0	16200	300,0	11.81	1,75	1.18
FC736-20	31	31,8	1.25	48,6	1.91	210,0	3050	840,0	12200	420,0	16.54	2,36	1.59
FC736-24	38	38,1	1.50	55,0	2.17	175,0	2550	700,0	10200	500,0	19.68	3,00	2.01
FC736-32	51	50,8	2.00	68,3	2.69	175,0	2550	700,0	10200	640,0	25.20	4,37	2.94

Construction

- Synthetic rubber tube
- 4-spiral wire reinforcement
- Synthetic rubber intermediate cover
- BRUISER outer cover for superior abrasion resistance

Operating temperature range

-40°C to +121°C
(-40°F to +250°F)

Application

High abrasion industrial and hydraulic system applications with petroleum and water-based fluids. Recommended for use on critical applications in construction, forestry, and other off-highway vehicles. BRUISER outer cover offers unmatched abrasion, chemical and environmental protection.

Fitting Reference

Hose size	Series
-12	4S
-16	4S
-20	4S
-24	4S
-32	4S

4S/6S Approved hoses

FC500

Premium R13 Spiral hose
 1/2 SAE Bend radius
 SAE 100R13 Performance



# Part Number	Hose I.D.			Hose O.D.		Max Operating Pressure		Burst Pressure		Minimum Bend Radius		Weight	
	DN	mm	in	mm	in	bar	psi	bar	psi	mm	in	kg/m	lbs/ft
FC500-12	19	19,0	0.75	31,8	1.25	350,0	5100	1400,0	20400	121,0	4.75	1,28	0.86
FC500-16	25	25,4	1.00	39,1	1.54	350,0	5100	1400,0	20400	152,0	6.00	1,85	1.24
FC500-20	31	31,8	1.25	47,0	1.85	350,0	5100	1400,0	20400	210,0	8.25	2,50	1.68
FC500-24	38	38,1	1.50	55,1	2.17	350,0	5100	1400,0	20400	254,0	10.00	3,38	2.27
FC500-32	51	50,8	2.00	72,6	2.86	350,0	5100	1400,0	20400	476,0	18.75	6,07	4.08

Construction

- Synthetic rubber inner tube
-12 to -24
- 4-spiral wire reinforcement
-32 6-spiral reinforcement
- Synthetic DURA-TUFF rubber cover for excellent abrasion resistance

Operating temperature range

-40°C to +127°C
 (-40°F to +260°F)

Application

- Hydraulic system service with petroleum and water-base fluids, for low temperature applications
- MSHA

Fitting Reference

Hose size	Series
-12	4S
-16	4S
-20	4S
-24	4S
-32	6S

4S/6S Approved hoses

FC273B

Premium abrasion resistant R13 Spiral hose
SAE 100R13, EN 856 Type R13, ISO 3862 Type R13



# Part Number	Hose I.D.			Hose O.D.		Max Operating Pressure		Burst Pressure		Minimum Bend Radius		Weight	
	DN	mm	in	mm	in	bar	psi	bar	psi	mm	in	kg/m	lbs/ft
FC273B-12	19	19,0	0.75	33,3	1.31	350,0	5100	1400,0	20400	241,0	9.50	1,55	1.04
FC273B-16	25	25,4	1.00	39,9	1.57	350,0	5100	1400,0	20400	305,0	12.00	1,95	1.31
FC273B-20	31	31,8	1.25	51,3	2.02	350,0	5100	1400,0	20400	419,0	16.50	3,63	2.44
FC273B-24	38	38,1	1.50	58,9	2.32	350,0	5100	1400,0	20400	508,0	20.00	4,78	3.21
FC273B-32	51	50,8	2.00	72,7	2.86	350,0	5100	1400,0	20400	635,0	25.00	7,05	4.74

Construction

- Synthetic rubber tube
- -12&-16 4-spiral wire reinforcement, -20 to -32 6-spiral wire reinforcement
- Synthetic rubber intermediate cover
- BRUISER outer cover for superior abrasion resistance

Operating temperature range

-40°C to +121°C
(-40°F to +250°F)

Application

High abrasion industrial and hydraulic system applications with petroleum and water-based fluids. Recommended for use on critical applications in construction, forestry, and other off-highway vehicles. BRUISER outer cover offers unmatched abrasion, chemical and environmental protection.

Fitting Reference

Hose size	Series
-12	4S
-16	4S
-20	6S
-24	6S
-32	6S

GH506

Specialty 4SH Spiral hose
EN 856 4SH



# Part Number	Hose I.D.			Hose O.D.		Max Operating Pressure		Burst Pressure		Minimum Bend Radius		Weight	
	DN	mm	in	mm	in	bar	psi	bar	psi	mm	in	kg/m	lbs/ft
GH506-12	19	19,0	0.75	33,0	1.30	420,0	6100	1680,0	24400	280,0	11.02	1,49	1.00
GH506-16	25	25,4	1.00	39,4	1.54	380,0	5500	1520,0	22000	340,0	13.39	2,05	1.38
GH506-20	31	31,8	1.25	47,1	1.85	350,0	5100	1400,0	20400	460,0	18.11	2,54	1.71
GH506-24	38	38,1	1.50	55,1	2.17	300,0	4350	1200,0	17400	560,0	22.05	3,27	2.20
GH506-32	51	50,8	2.00	69,7	2.74	250,0	3650	1000,0	17500	700,0	27.56	4,58	3.08

Construction

- Synthetic rubber tube
- 4-spiral wire reinforcement
- Synthetic DURA-TUFF rubber cover cover for excellent abrasion resistance

Operating temperature range

-40°C to +100°C
(-40°F to +212°F)

Application

- Four wire hose for high pressure hydraulic systems with petroleum and water-base fluids
- MSHA

Fitting Reference

Hose size	Series
-12	4S
-16	4S
-20	4S
-24	4S
-32	4S

4S/6S Approved hoses

FC254

Specialty 4SH Spiral hose

EN 856 4SH Operating pressure



Triple Crown

- Pressure
- Temperature
- Abrasion resistance

# Part Number	Hose I.D.			Hose O.D.		Max Operating Pressure		Burst Pressure		Minimum Bend Radius		Weight	
	DN	mm	in	mm	in	bar	psi	bar	psi	mm	in	kg/m	lbs/ft
FC254-12	19	19,0	0.75	32,5	1.28	497,0	7200	1988,0	28800	279,0	11.00	1,58	1.06
FC254-16	25	25,4	1.00	39,4	1.55	415,0	6000	1660,0	24000	305,0	12.00	1,96	1.32
FC254-20	31	31,8	1.25	46,0	1.81	350,0	5100	1400,0	20400	419,0	16.50	2,43	1.63
FC254-24	38	38,1	1.50	55,1	2.17	300,0	4300	1200,0	17400	508,0	20.00	3,02	2.03
FC254-32	51	50,8	2.00	69,3	2.73	275,0	4000	1100,0	16000	635,0	25.00	4,49	3.02

Construction

- Synthetic rubber tube
- 4-spiral wire reinforcement
- Synthetic DURA-TUFF rubber cover for excellent abrasion resistance

Operating temperature range

-40°C to +127°C
(-40°F to +260°F)

Application

- Hydraulic system service with petroleum and water-base fluids, for general industrial use
- MSHA

Fitting Reference

Hose size	Series
-12	4S
-16	4S
-20	4S
-24	4S
-32	4S

EC600

Premium R15 Spiral hose

SAE 100R15 Performance



# Part Number	Hose I.D.			Hose O.D.		Max Operating Pressure		Burst Pressure		Minimum Bend Radius		Weight	
	DN	mm	in	mm	in	bar	psi	bar	psi	mm	in	kg/m	lbs/ft
EC600-12	19	19,0	0.75	33,3	1.31	420,0	6100	1680,0	24400	135,0	5.31	1,52	1.01

Construction

- Synthetic rubber tube
- 4-spiral wire reinforcement
- Synthetic DURA-TUFF rubber cover for excellent abrasion resistance

Operating temperature range

-40°C to + 127°C
(-40°F to +260°F)

Application

- High-pressure hydraulics, hydrostatic transmissions
- Hydraulic system with petroleum and water-glycol base fluids, for lubricants oils and water
- MSHA

Fitting Reference

Hose size	Series
-12	4S

4S/6S Approved hoses

FC606

Specialty R15 Spiral hose

SAE 100R15



# Part Number	Hose I.D.			Hose O.D.		Max Operating Pressure		Burst Pressure		Minimum Bend Radius		Weight	
	DN	mm	in	mm	in	bar	psi	bar	psi	mm	in	kg/m	lbs/ft
FC606-16	25	25,4	1.00	42,9	1.69	420,0	6100	1680,0	24400	305,0	12.00	2,60	1.77
FC606-20	31	31,8	1.25	51,6	2.03	420,0	6100	1680,0	24400	419,0	16.50	3,60	2.42
FC606-24	38	38,1	1.50	59,6	2.32	420,0	6100	1680,0	24400	508,0	20.00	4,70	3.13

Construction

- Synthetic rubber tube
- 6-spiral wire reinforcement
- Synthetic DURA-TUFF rubber cover for excellent abrasion resistance

Operating temperature range

-40°C to +121°C
(-40°F to +250°F)

Application

- High-pressure hydraulics, hydrostatic transmissions.
- Hydraulic system service with petroleum and water base fluids for general industrial use
- MSHA

Fitting Reference

Hose size	Series
-16	6S
-20	6S
-24	6S

EC810

Premium low temperature spiral hose

SAE 100R15 Operating pressure



# Part Number	Hose I.D.			Hose O.D.		Max Operating Pressure		Burst Pressure		Minimum Bend Radius		Weight	
	DN	mm	in	mm	in	bar	psi	bar	psi	mm	in	kg/m	lbs/ft
EC810-12	19	19,1	0.75	33,0	1.30	420,0	6100	1680,0	24400	280,0	11.02	1,61	1.08
EC810-16	25	25,4	1.00	39,9	1.57	420,0	6100	1680,0	24400	340,0	13.39	2,02	1.36
EC810-20	31	31,8	1.25	49,4	1.94	420,0	6100	1680,0	24400	420,0	16.54	3,55	2.39
EC810-24	38	38,1	1.50	57,3	2.26	420,0	6100	1680,0	24400	510,0	20.08	4,74	3.19
EC810-32	51	50,8	2.00	71,7	2.82	420,0	6100	1490,0	21610	630,0	24.08	6,70	4.50

Construction

- Synthetic rubber tube
- 4-heavy spiral wire reinforcement on sizes -12 and -16, 6-spiral in -20 to -32 size
- Synthetic rubber cover for low temperature applications

Operating temperature range

-57°C to +100°C
(-70°F to +212°F)

Application

- Hydraulic systems with petroleum based fluids for low temperature applications
- MSHA

Fitting Reference

Hose size	Series
-12	4S
-16	4S
-20	6S
-24	6S
-32	6S

4S/6S Approved hoses

GH466

Specialty R15 Spiral hose
SAE 100R15



# Part Number	Hose I.D.			Hose O.D.		Max Operating Pressure		Burst Pressure		Minimum Bend Radius		Weight	
	DN	mm	in	mm	in	bar	psi	bar	psi	mm	in	kg/m	lbs/ft
GH466-20	31	31,8	1.25	50,4	1.98	420,0	6100	1680,0	24400	420,0	16.53	3,48	2.68
GH466-24	38	38,1	1.50	50,8	2.31	420,0	6100	1680,0	24400	500,0	19.69	4,63	3.11

Construction

- Synthetic rubber tube,
- 6 high tensile spiral wire layers reinforcement
- Synthetic DURA-TUFF rubber cover for excellent abrasion resistance

Operating temperature range

-40°C to +121°C
(-40°F to +250°F)

Application

- High pressure hydraulic systems with extreme pressure peaks. For use with petroleum and water based fluids
- MSHA

Fitting Reference

Hose size	Series
-20	6S
-24	6S

4S/6S Fitting series

4S Fittings

For use with hoses:

EC525-12,-16,-20,-24,-32; GH493-12,-16,-20,-24,-32;
 FC636-12,-16,-20,-24,-32;
 FC736-12,-16,-20,-24,-32; FC500-12,-16,-20,-24;
 FC273B-12,-16;
 GH506-12,-16,-20,-24,-32; FC254-12,-16,-20,-24,-32;
 EC810-12,-16;

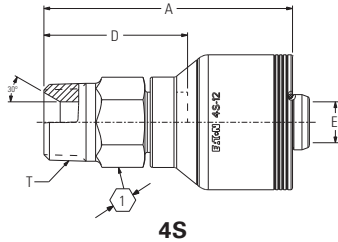
6S Fittings

For use with hoses:

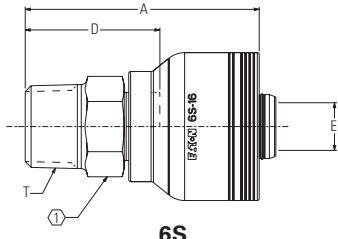
FC500-32;
 FC273B-20,-24,-32;
 FC606-16,-20,-24;
 EC810-20,-24,-32;
 GH466-20,-24

Male Pipe NPTF - Rigid (MP)

Straight



4S

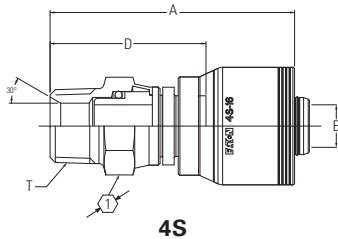


6S

# Part Number	Terminal End Dash size	Hose Size		Thread in	A		D		E Ø		1
		DN	Dash size		mm	in	mm	in	mm	in	
4SA8MP12	-8	19	-12	1/2-14	84,6	3.33	48,4	1.90	14,2	0.56	7/8
4SA12MP12	-12	19	-12	3/4-14	85,9	3.38	49,6	1.95	14,2	0.56	1 1/16
4SA16MP12	-16	19	-12	1-11 1/2	84,8	3.34	48,6	1.91	14,2	0.56	1 3/8
4SA12MP16	-12	25	-16	3/4-14	89,1	3.51	49,2	1.94	19,2	0.75	1 3/8
4SA16MP16	-16	25	-16	1-11 1/2	94,0	3.70	54,1	2.13	19,2	0.75	1 3/8
4SA20MP16	-20	25	-16	1 1/4-11 1/2	90,4	3.56	50,5	1.99	19,2	0.75	1 11/16
4SA16MP20	-16	31	-20	1-11 1/2	107,6	4.24	52,5	2.07	25,2	0.99	1 7/16
4SA20MP20	-20	31	-20	1 1/4-11 1/2	119,6	4.71	64,4	2.54	25,2	0.99	1 11/16
4SA24MP24	-24	38	-24	1 1/2-11 1/2	143,2	5.64	65,2	2.57	31,1	1.22	2
4SA32MP32	-32	51	-32	2-11 1/2	150,1	5.91	72,1	2.84	42,1	1.66	2 1/2
6S	Dash size	DN	Dash size	in	mm	in	mm	in	mm	in	in
6SA16MP16	-16	25	-16	1-11 1/2	94,0	3.70	54,1	2.13	19,2	0.75	1 3/8
6SA20MP20	-20	31	-20	1 1/4-11 1/2	120,4	4.74	64,4	2.54	25,2	0.99	1 11/16
6SA24MP24	-24	38	-24	1 1/2-11 1/2	143,2	5.64	65,2	2.57	31,1	1.22	2
6SA32MP32	-32	51	-32	2-11 1/2	150,1	5.91	72,1	2.84	42,1	1.66	2 1/2

Male Pipe NPTF - Swivel (PS)

Straight

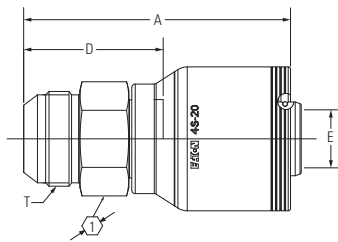


4S

# Part Number	Terminal End Dash size	Hose Size		Thread in	A		D		E Ø		1
		DN	Dash size		mm	in	mm	in	mm	in	in
4SA16PS16	-16	25	-16	1-11 1/2	110,2	4.34	70,1	2.76	19,2	0.75	1 1/2

Male JIC/37° - Rigid (MJ)

Straight



4S

# Part Number	Terminal End Dash size	Hose Size		Thread in	A		D		E Ø		1
		DN	Dash size		mm	in	mm	in	mm	in	in
4SA10MJ12	-10	19	-12	7/8-14	84,3	3.32	48,2	1.90	12,3	0.48	15/16
4SA12MJ12	-12	19	-12	1 1/16-12	86,9	3.42	50,8	2.00	14,2	0.56	1 1/8
4SA14MJ12	-14	19	-12	1 3/16-12	83,1	3.27	47,0	1.85	14,2	0.56	1 1/4
4SA16MJ12	-16	19	-12	1 5/16-12	83,6	3.29	47,5	1.87	14,2	0.56	1 3/8
4SA16MJ16	-16	25	-16	1 5/16-12	93,7	3.69	54,0	2.13	19,2	0.75	1 3/8
4SA20MJ16	-20	25	-16	1 5/8-12	99,6	3.92	60,0	2.36	19,2	0.76	1 11/16
4SA20MJ20	-20	31	-20	1 5/8-12	115,7	4.56	60,5	2.38	25,2	0.99	1 11/16
4SA24MJ24	-24	38	-24	1 7/8-12	151,3	5.96	73,3	2.89	31,1	1.22	2
4SA32MJ32	-32	51	-32	2 1/2-12	163,8	6.45	85,8	3.38	42,1	1.66	2 5/8

⚠ Refer to note below.

⚠ When assembled with all Eaton components, all SAE 37° JIC male and female terminal ends in the 4S & 6S product line are rated at the pressures listed in the table above and have passed one million impulse cycles at 133% of this pressure. All straight configurations achieve a 4:1 burst. The 45° and 90° elbow configurations in the -12 size meet a 3.2:1 burst the 45° and 90° elbow configurations in the -16 size achieve a 2.8:1 burst; the 45° and 90° elbow configurations in the -20 size meet a 4:1 burst and the 45° & 90° elbow configurations in the -24 size meet a 2.4:1 burst.

4S/6S Fitting series

4S Fittings

For use with hoses:

EC525-12,-16,-20,-24,-32; GH493-12,-16,-20,-24,-32;
 FC636-12,-16,-20,-24,-32;
 FC736-12,-16,-20,-24,-32; FC500-12,-16,-20,-24;
 FC273B-12,-16;
 GH506-12,-16,-20,-24,-32; FC254-12,-16,-20,-24,-32;
 EC810-12,-16;

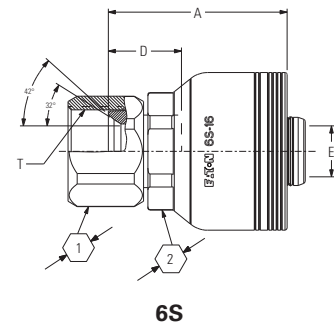
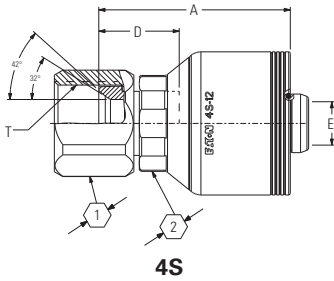
6S Fittings

For use with hoses:

FC500-32;
 FC273B-20,-24,-32;
 FC606-16,-20,-24;
 EC810-20,-24,-32;
 GH466-20,-24

Female JIC/37° Swivel (FJ)

Straight

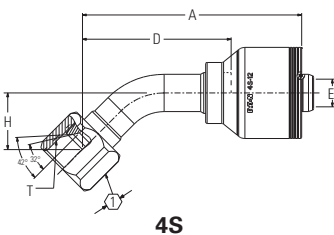


# Part Number	Terminal End	Hose Size		Thread	A		D		E Ø		1		2
		DN	Dash size		in	mm	in	mm	in	mm	in	mm	
4S	Dash size	DN	Dash size	in	mm	in	mm	in	mm	in	mm	in	in
4SA10FJ12	-10	19	-12	7/8-14	75,0	2.95	38,8	1.53	12,3	0.48	30,0	1 3/16	1
4SA12FJ12	-12	19	-12	1 1/16-12	82,0	3.23	45,7	1.80	14,2	0.56	30,0	1 3/16	1 1/4
4SA14FJ12	-14	19	-12	1 3/16-12	77,5	3.05	41,3	1.63	14,2	0.56	30,0	1 3/16	1 3/8
4SA16FJ12	-16	19	-12	1 5/16-12	80,2	3.16	44,0	1.73	14,2	0.56	30,0	1 3/16	1 1/2
4SA12FJ16	-12	25	-16	1 1/16-12	78,8	3.10	39,1	1.54	15,5	0.61	41,0	1 5/8	1 1/4
4SA16FJ16	-16	25	-16	1 5/16-12	89,2	3.51	49,3	1.94	19,2	0.76	41,0	1 5/8	1 1/2
4SA20FJ16	-20	25	-16	1 5/8-12	85,8	3.38	46,0	1.81	19,2	0.76	41,0	1 5/8	2
4SA16FJ20	-16	31	-20	1 5/16-12	99,1	3.90	43,7	1.72	25,2	0.99	46,0	1 13/16	1 1/2
4SA20FJ20	-20	31	-20	1 5/8-12	101,6	4.00	46,3	1.82	25,2	0.99	46,0	1 13/16	2
4SA24FJ20	-24	31	-20	1 7/8-12	106,8	4.20	51,5	2.03	25,2	0.99	46,0	1 13/16	2 1/4
4SA24FJ24	-24	38	-24	1 7/8-12	134,9	5.31	56,8	2.24	31,1	1.22	57,0	2 1/4	2 1/4
4SA32FJ32	-32	51	-32	2 1/2-12	146,0	5.75	68,0	2.68	42,1	1.66			2 7/8
6S	Dash size	DN	Dash size	in	mm	in	mm	in	mm	in	mm	in	in
6SA16FJ16	-16	25	-16	1 5/16-12	89,2	3.51	49,3	1.94	19,2	0.76	41,0	1 5/8	1 1/2
6SA20FJ20	-20	31	-20	1 5/8-12	102,3	4.03	46,3	1.82	25,2	0.99	46,0	1 13/16	2
6SA24FJ20	-24	31	-20	1 7/8-12	107,5	4.23	51,5	2.03	25,2	0.99	46,0	1 13/16	2 1/4
6SA24FJ24	-24	38	-24	1 7/8-12	134,9	5.31	56,8	2.24	31,1	1.22	57,0	2 1/4	2 1/4
6SA32FJ32	-32	51	-32	2 1/2-12	146,0	5.75	68,0	2.68	42,1	1.66			2 7/8

⚠ Refer to note below.

Female JIC/37° Swivel (FJA)

45° Elbow



# Part Number	Terminal End	Hose Size		Thread	A		D		E Ø		H		1
		DN	Dash size		in	mm	in	mm	in	mm	in	mm	
4S	Dash size	DN	Dash size	in	mm	in	mm	in	mm	in	mm	in	in
4SA12FJA12	-12	19	-12	1 1/16-12	112,3	4.42	76,1	3.00	14,2	0.56	29,0	1.14	1 1/4
4SA16FJA12	-16	19	-12	1 5/16-12	133,6	5.26	97,5	3.84	14,2	0.56	38,0	1.50	1 1/2
4SA16FJA16	-16	25	-16	1 5/16-12	128,8	5.07	89,3	3.52	19,2	0.76	38,0	1.50	1 1/2
4SA20FJA16	-20	25	-16	1 5/8-12	120,1	4.73	80,4	3.17	19,2	0.75	32,0	1.26	2
4SA20FJA20	-20	31	-20	1 5/8-12	135,6	5.34	80,4	3.17	25,2	0.99	32,0	1.26	2
4SA24FJA24	-24	38	-24	1 7/8-12	212,0	8.35	134,0	5.28	31,1	1.22	43,0	1.69	2 1/4
6S	Dash size	DN	Dash size	in	mm	in	mm	in	mm	in	mm	in	in
6SA20FJA20	-20	31	-20	1 5/8-12	136,4	5.37	80,4	3.17	25,2	0.99	32,0	1.26	2
6SA24FJA24	-24	38	-24	1 7/8-12	212,0	8.35	134,0	5.28	31,1	1.22	43,0	1.69	2 1/4

⚠ Refer to note below.

⚠ When assembled with all Eaton components, all SAE 37° JIC male and female terminal ends in the 4S & 6S product line are rated at the pressures listed in the table above and have passed one million impulse cycles at 133% of this pressure. All straight configurations achieve a 4:1 burst. The 45° and 90° elbow configurations in the -12 size meet a 3.2:1 burst the 45° and 90° elbow configurations in the -16 size achieve a 2.8:1 burst; the 45° and 90° elbow configurations in the -20 size meet a 4:1 burst and the 45° & 90° elbow configurations in the -24 size meet a 2.4:1 burst.

4S/6S Fitting series

4S Fittings

For use with hoses:

EC525-12,-16,-20,-24,-32; GH493-12,-16,-20,-24,-32;
 FC636-12,-16,-20,-24,-32;
 FC736-12,-16,-20,-24,-32; FC500-12,-16,-20,-24;
 FC273B-12,-16;
 GH506-12,-16,-20,-24,-32; FC254-12,-16,-20,-24,-32;
 EC810-12,-16;

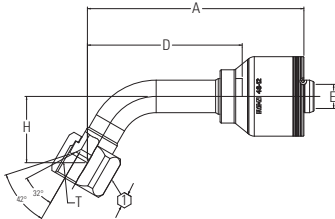
6S Fittings

For use with hoses:

FC500-32;
 FC273B-20,-24,-32;
 FC606-16,-20,-24;
 EC810-20,-24,-32;
 GH466-20,-24

Female JIC/37° Swivel (FJG)

60° Elbow



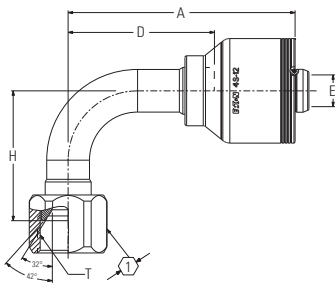
4S

# Part Number	Terminal End Dash size	Hose Size		Thread in	A		D		E Ø		H		1
		DN	Dash size		mm	in	mm	in	mm	in	mm	in	
4SA12FJG12	-12	19	-12	1 1/16-12	127,0	5.00	90,8	3.58	14,2	0.56	38,9	1.53	1 1/4
4SA16FJG16	-16	25	-16	1 5/16-12	144,4	5.69	104,8	4.12	19,2	0.76	47,6	1.87	1 1/2

⚠ Refer to note below.

Female JIC/37° Swivel (FJB)

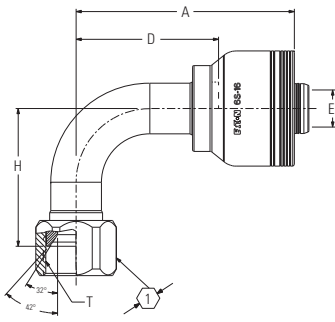
90° Elbow



4S

# Part Number	Terminal End Dash size	Hose Size		Thread in	A		D		E Ø		H		1
		DN	Dash size		mm	in	mm	in	mm	in	mm	in	
4SA12FJB12	-12	19	-12	1 1/16-12	101,3	3.99	65,3	2.57	14,2	0.56	58,0	2.28	1 1/4
4SA16FJB12	-16	19	-12	1 5/16-12	110,0	4.33	73,8	2.91	14,2	0.56	71,0	2.80	1 1/2
4SA16FJB16	-16	25	-16	1 5/16-12	113,1	4.45	73,5	2.89	19,2	0.76	71,0	2.80	1 1/2
4SA20FJB16	-20	25	-16	1 5/8-12	117,1	4.61	77,4	3.05	19,2	0.75	78,0	3.07	2
4SA20FJB20	-20	31	-20	1 5/8-12	132,6	5.22	77,4	3.05	25,2	0.99	78,0	3.07	2
4SA24FJB24	-24	38	-24	1 7/8-12	208,9	8.22	130,8	5.15	31,1	1.22	104,0	4.09	2 1/4
# Part Number	Terminal End Dash size	DN	Dash size	in	mm	in	mm	in	mm	in	mm	in	in
6SA16FJB16	-16	25	-16	1 5/16-12	113,1	4.45	73,5	2.89	19,0	0.75	71,0	2.80	1 1/2
6SA20FJB20	-20	31	-20	1 5/8-12	133,4	5.25	77,4	3.05	25,2	0.99	78,0	3.07	2
6SA24FJB24	-24	38	-24	1 7/8-12	208,9	8.22	130,8	5.15	31,1	1.22	104,0	4.09	2 1/4

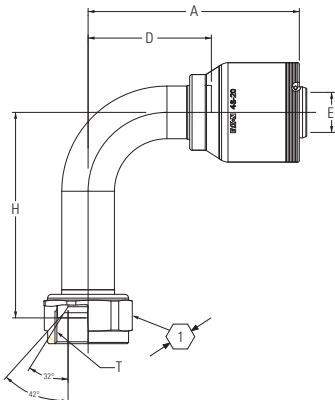
⚠ Refer to note below.



6S

Female JIC/37° Swivel (FJC)

90° Elbow - Long Drop



4S

# Part Number	Terminal End Dash size	Hose Size		Thread in	A		D		E Ø		H		1
		DN	Dash size		mm	in	mm	in	mm	in	mm	in	
4SA12FJC12	-12	19	-12	1 1/16-12	101,3	3.99	65,3	2.57	14,2	0.56	96,0	3.78	1 1/4
4SA16FJC16	-16	25	-16	1 5/16-12	112,5	4.43	73,5	2.89	19,0	0.75	114,0	4.49	1 1/2
4SA20FJC20	-20	31	-20	1 5/8-12	132,6	5.22	77,4	3.05	25,2	0.99	129,0	5.08	2

⚠ Refer to note below.

⚠ When assembled with all Eaton components, all SAE 37° JIC male and female terminal ends in the 4S & 6S product line are rated at the pressures listed in the table above and have passed one million impulse cycles at 133% of this pressure. All straight configurations achieve a 4:1 burst. The 45° and 90° elbow configurations in the -12 size meet a 3.2:1 burst the 45° and 90° elbow configurations in the -16 size achieve a 2.8:1 burst; the 45° and 90° elbow configurations in the -20 size meet a 4:1 burst and the 45° & 90° elbow configurations in the -24 size meet a 2.4:1 burst.

4S/6S Fitting series

4S Fittings

For use with hoses:

EC525-12,-16,-20,-24,-32; GH493-12,-16,-20,-24,-32;
 FC636-12,-16,-20,-24,-32;
 FC736-12,-16,-20,-24,-32; FC500-12,-16,-20,-24;
 FC273B-12,-16;
 GH506-12,-16,-20,-24,-32; FC254-12,-16,-20,-24,-32;
 EC810-12,-16;

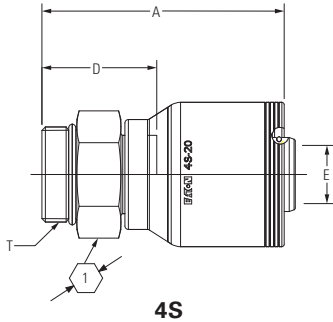
6S Fittings

For use with hoses:

FC500-32;
 FC273B-20,-24,-32;
 FC606-16,-20,-24;
 EC810-20,-24,-32;
 GH466-20,-24

Male Oring Boss - Rigid (MB)

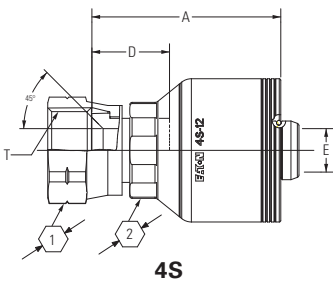
Straight



# Part Number	Terminal End	Hose Size		Thread	A		D		E Ø		1
		DN	Dash size		mm	in	mm	in	mm	in	
4SA12MB12	-12	19	-12	1 1/16-12	78,7	3.10	42,5	1.67	14,2	0.56	1 1/4
4SA16MB16	-16	25	-16	1 5/16-12	88,1	3.47	48,5	1.91	19,2	0.76	1 1/2
4SA20MB20	-20	31	-20	1 5/8-12	109,5	4.31	54,4	2.14	25,2	0.99	1 7/8
4SA24MB24	-24	38	-24	1 7/8-12	134,1	5.28	56,0	2.21	31,1	1.22	2 1/8

Female SAE 45° Flare Swivel (FS)

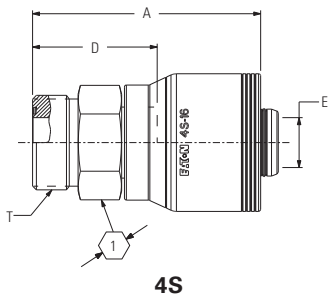
Straight



# Part Number	Terminal End	Hose Size		Thread	A		D		E Ø		1	2
		DN	Dash size		mm	in	mm	in	mm	in		
4SA12FS12	-12	19	-12	1 1/16-14	61,5	2.42	25,4	1.00	14,2	0.56	1 1/4	1 3/16

Male ORS - Rigid (MR)

Straight



# Part Number	Terminal End	Hose Size		Thread	A		D		E Ø		1
		DN	Dash size		mm	in	mm	in	mm	in	
4SA12MR12	-12	19	-12	1 3/16-12	80,8	3.18	44,4	1.75	14,2	0.56	1 1/4
4SA16MR12	-16	19	-12	1 7/16-12	78,2	3.08	41,9	1.65	14,2	0.56	1 1/2
4SA16MR16	-16	25	-16	1 7/16-12	87,7	3.45	47,9	1.89	19,2	0.76	1 1/2
4SA20MR16	-20	25	-16	1 11/16-12	81,1	3.19	41,5	1.63	19,2	0.76	1 3/4
4SA20MR20	-20	31	-20	1 11/16-12	107,1	4.22	52,0	2.05	25,2	0.99	1 3/4

4S/6S Fitting series

4S Fittings

For use with hoses:

EC525-12,-16,-20,-24,-32; GH493-12,-16,-20,-24,-32;
 FC636-12,-16,-20,-24,-32;
 FC736-12,-16,-20,-24,-32; FC500-12,-16,-20,-24;
 FC273B-12,-16;
 GH506-12,-16,-20,-24,-32; FC254-12,-16,-20,-24,-32;
 EC810-12,-16;

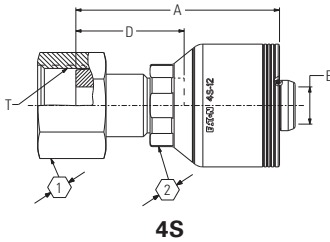
6S Fittings

For use with hoses:

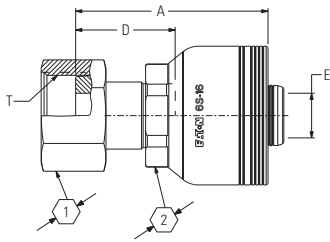
FC500-32;
 FC273B-20,-24,-32;
 FC606-16,-20,-24;
 EC810-20,-24,-32;
 GH466-20,-24

Female ORS Swivel (FR)

Straight



4S

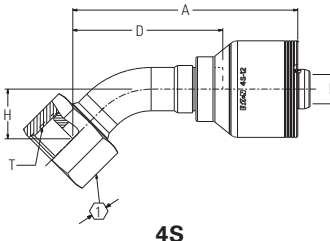


6S

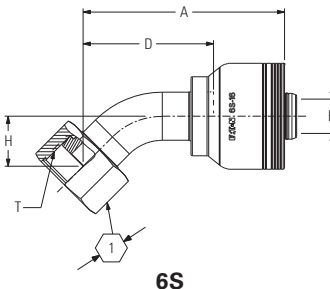
# Part Number	Terminal End	Hose Size		Thread	A		D		E Ø		1		2
		DN	Dash size		in	mm	in	mm	in	mm	in	mm	
4S	Dash size	DN	Dash size	in	mm	in	mm	in	mm	in	mm	in	in
4SA10FR12	-10	19	-12	1 - 14	74,4	2.93	38,1	1.50	14,2	0.56	30,0	1 3/16	1 1/8
4SA12FR12	-12	19	-12	1 3/16-12	77,4	3.05	41,2	1.62	14,2	0.56	30,0	1 3/16	1 3/8
4SA16FR12	-16	19	-12	1 7/16-12	79,2	3.12	43,1	1.70	14,2	0.56	30,0	1 3/16	1 5/8
4SA12FR16	-12	25	-16	1 3/16-12	80,5	3.17	40,8	1.61	19,2	0.76	41,0	1 5/8	1 3/8
4SA16FR16	-16	25	-16	1 7/16-12	82,4	3.24	42,6	1.68	19,2	0.76	41,0	1 5/8	1 5/8
4SA20FR16	-20	25	-16	1 11/16-12	82,4	3.24	42,7	1.68	19,2	0.76	41,0	1 5/8	1 7/8
4SA20FR20	-20	31	-20	1 11/16-12	99,0	3.90	43,8	1.72	25,2	0.99	46,0	1 13/16	1 7/8
4SA24FR24	-24	38	-24	2 - 12	125,7	4.95	47,6	1.87	31,1	1.22	57,0	2 1/4	2 1/4
6S	Dash size	DN	Dash size	in	mm	in	mm	in	mm	in	mm	in	in
6SA16FR16	-16	25	-16	1 7/16-12	82,4	3.24	42,6	1.68	19,2	0.76	41,0	1 5/8	1 5/8
6SA20FR16	-20	25	-16	1 11/16-12	82,4	3.24	42,7	1.68	19,2	0.76	41,0	1 5/8	1 7/8
6SA20FR20	-20	31	-20	1 11/16-12	99,8	3.93	43,8	1.72	25,2	0.99	46,0	1 13/16	1 7/8
6SA24FR24	-24	38	-24	2 - 12	125,7	4.95	47,6	1.87	31,1	1.22	57,0	2 1/4	2 1/4

Female ORS Swivel (FRA)

45° Elbow



4S



6S

# Part Number	Terminal End	Hose Size		Thread	A		D		E Ø		H		1
		DN	Dash size		in	mm	in	mm	in	mm	in	mm	
4S	Dash size	DN	Dash size	in	mm	in	mm	in	mm	in	mm	in	in
4SA12FRA12	-12	19	-12	1 3/16-12	108,7	4.28	72,5	2.85	14,2	0.56	24,0	0.94	1 3/8
4SA16FRA12	-16	19	-12	1 7/16-12	119,9	4.72	83,7	3.30	14,2	0.56	28,0	1.10	1 5/8
4SA16FRA16	-16	25	-16	1 7/16-12	112,8	4.44	73,0	2.87	19,2	0.76	28,0	1.10	1 5/8
4SA20FRA16	-20	25	-16	1 11/16-12	136,7	5.38	97,0	3.82	19,2	0.76	31,0	1.22	1 7/8
4SA20FRA20	-20	31	-20	1 11/16-12	153,4	6.04	98,1	3.86	25,2	0.99	31,0	1.22	1 7/8
4SA24FRA24	-24	38	-24	2 - 12	212,0	8.35	134,0	5.28	31,1	1.22	43,0	1.69	2 1/4
6S	Dash size	DN	Dash size	in	mm	in	mm	in	mm	in	mm	in	in
6SA16FRA16	-16	25	-16	1 7/16-12	112,8	4.44	73,0	2.87	19,2	0.76	28,0	1.10	1 5/8
6SA20FRA16	-20	25	-16	1 11/16-12	136,7	5.38	97,0	3.82	19,2	0.76	31,0	1.22	1 7/8
6SA20FRA20	-20	31	-20	1 11/16-12	154,1	6.07	98,1	3.86	25,2	0.99	31,0	1.22	1 7/8
6SA24FRA24	-24	38	-24	2 - 12	212,0	8.35	134,0	5.28	31,1	1.22	43,0	1.69	2 1/4

4S/6S Fitting series

4S Fittings

For use with hoses:

EC525-12,-16,-20,-24,-32; GH493-12,-16,-20,-24,-32;
 FC636-12,-16,-20,-24,-32;
 FC736-12,-16,-20,-24,-32; FC500-12,-16,-20,-24;
 FC273B-12,-16;
 GH506-12,-16,-20,-24,-32; FC254-12,-16,-20,-24,-32;
 EC810-12,-16;

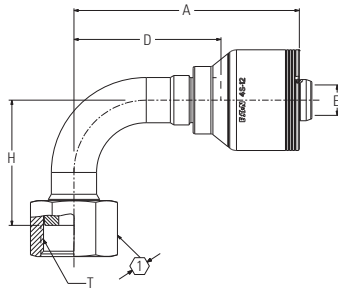
6S Fittings

For use with hoses:

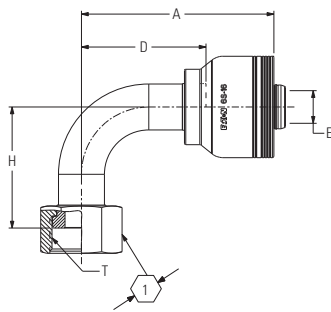
FC500-32;
 FC273B-20,-24,-32;
 FC606-16,-20,-24;
 EC810-20,-24,-32;
 GH466-20,-24

Female ORS Swivel (FRB)

90° Elbow



4S

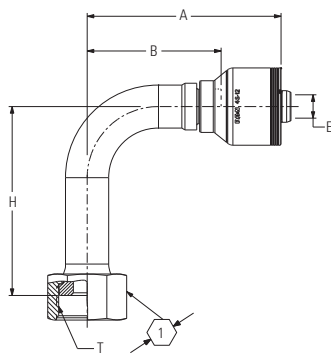


6S

# Part Number	Terminal End	Hose Size		Thread	A		D		E Ø		H		in
		DN	Dash size		in	mm	in	mm	in	mm	in	mm	
4SA10FRB12	-10	19	-12	1 - 14	91,5	3.60	55,3	2.18	14,2	0.56	32,3	1.27	1 1/8
4SA12FRB12	-12	19	-12	1 3/16-12	104,4	4.11	68,1	2.68	14,2	0.56	58,0	2.28	1 3/8
4SA16FRB12	-16	19	-12	1 7/16-12	117,1	4.61	80,9	3.19	14,2	0.56	71,0	2.80	1 5/8
4SA12FRB16	-12	25	-16	1 3/16-12	107,5	4.23	67,7	2.67	19,2	0.76	58,0	2.28	1 3/8
4SA16FRB16	-16	25	-16	1 7/16-12	112,8	4.44	73,0	2.87	19,2	0.76	71,0	2.80	1 5/8
4SA20FRB16	-20	25	-16	1 11/16-12	136,5	5.37	96,8	3.81	19,2	0.76	78,0	3.07	1 7/8
4SA20FRB20	-20	31	-20	1 11/16-12	153,1	6.03	97,9	3.85	25,2	0.99	78,0	3.07	1 7/8
4SA24FRB20	-24	31	-20	2 - 12	152,9	6.02	97,9	3.85	25,2	0.99	86,0	3.39	2 1/4
4SA24FRB24	-24	38	-24	2 - 12	208,9	8.22	130,8	5.15	31,1	1.22	104,0	4.09	2 1/4
6SA16FRB16	-16	25	-16	1 7/16-12	112,8	4.44	73,0	2.87	19,2	0.76	71,0	2.80	1 5/8
6SA20FRB16	-20	25	-16	1 11/16-12	136,5	5.37	96,8	3.81	19,2	0.76	78,0	3.07	1 7/8
6SA20FRB20	-20	31	-20	1 11/16-12	153,9	6.06	97,9	3.85	25,2	0.99	78,0	3.07	1 7/8
6SA24FRB24	-24	38	-24	2 - 12	208,9	8.22	130,8	5.15	31,1	1.22	104,0	4.09	2 1/4

Female ORS Swivel (FRC)

90° Elbow - Long Drop



4S

# Part Number	Terminal End	Hose Size		Thread	A		D		E Ø		H		in
		DN	Dash size		in	mm	in	mm	in	mm	in		
4SA10FRC12	-10	19	-12	1 - 14	91,5	3.60	55,3	2.18	14,2	0.56	70,0	2.76	1 1/8
4SA12FRC12	-12	19	-12	1 3/16-12	104,4	4.11	68,0	2.68	14,2	0.56	96,0	3.78	1 3/8
4SA16FRC12	-16	19	-12	1 7/16-12	117,1	4.61	80,9	3.19	14,2	0.56	114,0	4.49	1 5/8
4SA16FRC16	-16	25	-16	1 7/16-12	112,8	4.44	73,0	2.87	19,2	0.76	114,0	4.49	1 5/8
4SA20FRC20	-20	31	-20	1 11/16-12	152,9	6.02	97,9	3.85	25,2	0.99	129,0	5.08	1 7/8
4SA24FRC20	-24	31	-20	2 - 12	152,9	6.02	97,9	3.85	25,2	0.99	141,0	5.55	2 1/4
4SA24FRC24	-24	38	-24	2 - 12	152,9	6.02	97,9	3.85	25,2	0.99	141,0	5.55	2 1/4

4S/6S Fitting series

4S Fittings

For use with hoses:

EC525-12,-16,-20,-24,-32; GH493-12,-16,-20,-24,-32;
 FC636-12,-16,-20,-24,-32;
 FC736-12,-16,-20,-24,-32; FC500-12,-16,-20,-24;
 FC273B-12,-16;
 GH506-12,-16,-20,-24,-32; FC254-12,-16,-20,-24,-32;
 EC810-12,-16;

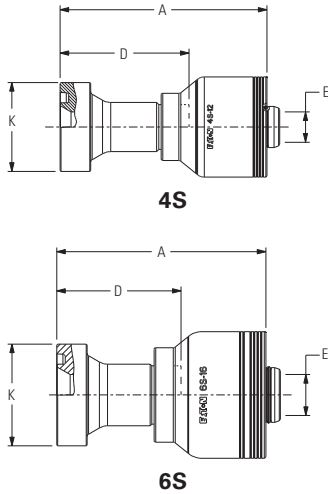
6S Fittings

For use with hoses:

FC500-32;
 FC273B-20,-24,-32;
 FC606-16,-20,-24;
 EC810-20,-24,-32;
 GH466-20,-24

SAE Code 61 Flange (FL)

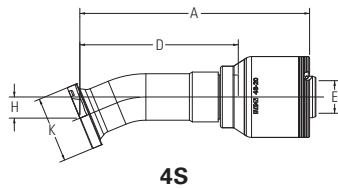
Straight



# Part Number	Terminal End Dash size	Hose Size		Flange Head Dia. K Ø		A		D		E Ø	
		DN	Dash size	mm	in	mm	in	mm	in	mm	in
4S12FL12	-12	19	-12	38,1	1.50	90,7	3.57	54,5	2.15	14,2	0.56
4S16FL12	-16	19	-12	44,5	1.75	90,2	3.55	54,0	2.13	14,2	0.56
4S20FL12	-20	19	-12	50,8	2.00	97,7	3.85	61,5	2.42	14,2	0.56
4S16FL16	-16	25	-16	44,5	1.75	93,3	3.67	53,6	2.11	19,2	0.76
4S20FL16	-20	25	-16	50,8	2.00	100,8	3.97	61,1	2.41	19,2	0.76
4S24FL16	-24	25	-16	60,4	2.38	97,4	3.83	57,7	2.27	19,2	0.76
4S16FL20	-16	31	-20	44,5	1.75	110,5	4.35	55,5	2.18	25,2	0.99
4S20FL20	-20	31	-20	50,8	2.00	117,4	4.62	62,2	2.45	25,2	0.99
4S24FL20	-24	31	-20	60,4	2.38	106,7	4.20	51,6	2.03	25,2	0.99
4S32FL20	-32	31	-20	71,4	2.81	104,9	4.13	49,9	1.96	25,2	0.99
4S24FL24	-24	38	-24	60,4	2.38	171,6	6.75	93,6	3.68	31,1	1.22
4S32FL24	-32	38	-24	71,4	2.81	174,7	6.88	96,7	3.81	31,1	1.22
4S32FL32	-32	51	-32	71,4	2.81	177,5	6.99	99,5	3.92	42,1	1.66
6S	Dash size	DN	Dash size	mm	in	mm	in	mm	in	mm	in
6S16FL16	-16	25	-16	44,5	1.75	93,3	3.67	53,6	2.11	19,2	0.76
6S20FL20	-20	31	-20	50,8	2.00	118,2	4.65	62,2	2.45	25,2	0.99
6S24FL24	-24	38	-24	60,4	2.38	171,6	6.75	93,6	3.68	31,1	1.22
6S32FL24	-32	38	-24	71,4	2.81	174,7	6.88	96,7	3.81	31,1	1.22
6S32FL32	-32	51	-32	71,4	2.81	177,5	6.99	99,5	3.92	42,1	1.66

SAE Code 61 Flange (FLD)

22.5° Elbow



# Part Number	Terminal End Dash size	Hose Size		Flange Head Dia. K Ø		A		D		E Ø		H	
		DN	Dash size	mm	in	mm	in	mm	in	mm	in	mm	in
4S12FLD12	-12	19	-12	38,1	1.50	121,3	4.78	85,1	3.35	14,2	0.56	11,6	0.46
4S16FLD12	-16	25	-12	44,4	1.75	136,7	5.38	100,5	3.96	14,2	0.56	13,5	0.53
4S16FLD16	-16	25	-16	44,4	1.75	139,8	5.50	100,1	3.94	19,2	0.76	13,5	0.53
4S20FLD16	-20	25	-16	50,8	2.00	160,9	6.33	121,2	4.77	19,2	0.76	16,3	0.64
4S20FLD20	-20	31	-20	50,8	2.00	177,3	6.98	122,3	4.81	25,2	0.99	16,3	0.64
4S24FLD20	-24	31	-20	60,4	2.38	173,6	6.83	117,6	4.63	25,2	0.99	17,1	0.67
4S24FLD24	-24	38	-24	60,3	2.37	226,4	8.91	148,4	5.84	31,1	1.22	18,8	0.74
4S32FLD24	-32	38	-24	71,4	2.81	266,7	10.50	188,7	7.43	31,1	1.22	23,5	0.93
4S32FLD32	-32	51	-32	71,4	2.81	269,6	10.61	191,5	7.54	42,1	1.66	23,5	0.93

4S/6S Fitting series

4S Fittings

For use with hoses:

EC525-12,-16,-20,-24,-32; GH493-12,-16,-20,-24,-32;
 FC636-12,-16,-20,-24,-32;
 FC736-12,-16,-20,-24,-32; FC500-12,-16,-20,-24;
 FC273B-12,-16;
 GH506-12,-16,-20,-24,-32; FC254-12,-16,-20,-24,-32;
 EC810-12,-16;

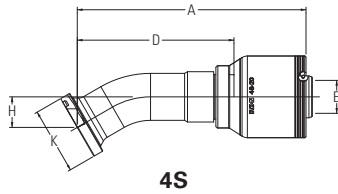
6S Fittings

For use with hoses:

FC500-32;
 FC273B-20,-24,-32;
 FC606-16,-20,-24;
 EC810-20,-24,-32;
 GH466-20,-24

SAE Code 61 Flange (FLF)

30° Elbow

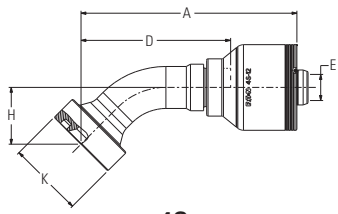


4S

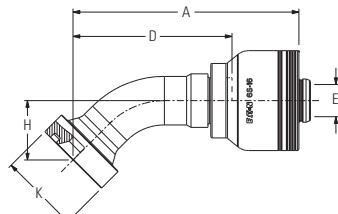
# Part Number	Terminal End	Hose Size		Flange Head Dia. K Ø		A		D		E Ø		H	
		DN	Dash size	mm	in	mm	in	mm	in	mm	in	mm	in
4S12FLF12	-12	19	-12	38,1	1.50	119,4	4.70	83,3	3.28	14,2	0.56	16,4	0.65
4S16FLF12	-16	19	-12	44,4	1.75	134,6	5.30	98,4	3.87	14,2	0.56	19,3	0.76
4S16FLF16	-16	25	-16	44,4	1.75	137,7	5.42	97,9	3.85	19,2	0.76	19,3	0.76
4S20FLF16	-20	25	-16	50,8	2.00	158,3	6.23	118,6	4.67	19,2	0.76	23,3	0.92
4S20FLF20	-20	31	-20	50,8	2.00	174,7	6.88	119,7	4.71	25,2	0.99	23,3	0.92
4S24FLF20	-24	31	-20	60,4	2.38	169,9	6.69	114,9	4.52	25,2	0.99	24,1	0.95
4S24FLF24	-24	38	-24	60,3	2.37	223,4	8.80	145,4	5.72	31,1	1.22	26,8	1.06
4S32FLF32	-32	51	-32	71,4	2.81	265,9	10.47	187,8	7.39	42,1	1.66	33,9	1.34

SAE Code 61 Flange (FLA)

45° Elbow



4S

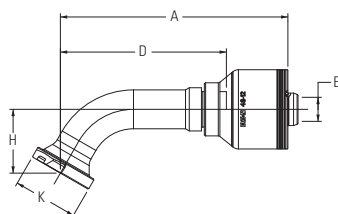


6S

# Part Number	Terminal End	Hose Size		Flange Head Dia. K Ø		A		D		E Ø		H	
		DN	Dash size	mm	in	mm	in	mm	in	mm	in	mm	in
4S12FLA12	-12	19	-12	38,1	1.50	113,8	4.48	77,6	3.06	14,2	0.56	27,0	1.06
4S16FLA12	-16	19	-12	44,4	1.75	127,9	5.04	91,7	3.61	14,2	0.56	32,0	1.26
4S12FLA16	-12	25	-16	38,1	1.50	116,9	4.60	77,2	3.04	19,2	0.76	27,0	1.06
4S16FLA16	-16	25	-16	44,4	1.75	131,0	5.16	91,3	3.59	19,2	0.76	32,0	1.26
4S20FLA16	-16	31	-20	44,4	1.75	152,1	5.99	97,0	3.82	25,2	0.99	32,0	1.26
4S16FLA20	-20	25	-16	50,8	2.00	150,2	5.91	110,5	4.35	19,2	0.76	39,0	1.54
4S20FLA20	-20	31	-20	50,8	2.00	166,8	6.57	111,6	4.39	25,2	0.99	39,0	1.54
4S24FLA20	-24	31	-20	60,4	2.38	161,6	6.36	106,6	4.20	25,2	0.99	39,5	1.34
4S24FLA24	-24	38	-24	60,3	2.37	214,3	8.44	136,3	5.37	31,1	1.22	45,0	1.77
4S32FLA24	-32	38	-24	71,4	2.81	251,0	9.88	173,0	6.81	31,1	1.22	57,5	2.26
4S32FLA32	-32	51	-32	71,4	2.81	253,9	10.00	175,9	6.92	42,1	1.66	57,5	2.26
6S	Dash size	DN	Dash size	mm	in	mm	in	mm	in	mm	in	mm	in
6S16FLA16	-16	25	-16	44,4	1.75	131,0	5.16	91,3	3.59	19,2	0.76	32,0	1.26
6S20FLA16	-20	25	-16	50,8	2.00	150,2	5.91	110,5	4.35	19,2	0.76	39,0	1.54
6S20FLA20	-20	31	-20	50,8	2.00	167,6	6.60	111,6	4.39	25,2	0.99	39,0	1.54
6S24FLA24	-24	38	-24	60,3	2.37	214,3	8.44	136,3	5.37	31,1	1.22	45,0	1.77
6S32FLA24	-32	38	-24	71,4	2.81	251,0	9.88	173,0	6.81	31,1	1.22	57,5	2.26
6S32FLA32	-32	51	-32	71,4	2.81	253,9	10.00	175,9	6.92	42,1	1.66	57,5	2.26

SAE Code 61 Flange (FLG)

60° Elbow



4S

# Part Number	Terminal End	Hose Size		Flange Head Dia. K Ø		A		D		E Ø		H	
		DN	Dash size	mm	in	mm	in	mm	in	mm	in	mm	in
4S12FLG12	-12	19	-12	38,1	1.50	133,9	5.27	97,7	3.85	14,2	0.56	37,6	1.48
4S16FLG12	-16	19	-12	44,4	1.75	153,2	6.03	117,1	4.61	14,2	0.56	44,7	1.76
4S16FLG16	-16	25	-16	44,4	1.75	156,4	6.16	116,6	4.59	19,2	0.76	44,7	1.76
4S20FLG16	-20	25	-16	50,8	2.00	183,3	7.22	143,5	5.65	19,2	0.76	55,8	2.20
4S20FLG20	-20	25	-20	50,8	2.00	199,7	7.86	144,7	5.70	25,2	0.99	55,8	2.20
4S24FLG20	-24	31	-20	60,4	2.38	188,1	7.41	133,0	5.24	25,2	0.99	51,7	2.04
4S24FLG24	-24	38	-24	60,3	2.37	253,3	9.97	175,3	6.90	31,1	1.22	65,2	2.57
4S32FLG32	-32	51	-32	71,4	2.81	309,1	12.17	231,1	9.10	42,1	1.66	85,8	3.38

4S/6S Fitting series

4S Fittings

For use with hoses:

EC525-12,-16,-20,-24,-32; GH493-12,-16,-20,-24,-32;
 FC636-12,-16,-20,-24,-32;
 FC736-12,-16,-20,-24,-32; FC500-12,-16,-20,-24;
 FC273B-12,-16;
 GH506-12,-16,-20,-24,-32; FC254-12,-16,-20,-24,-32;
 EC810-12,-16;

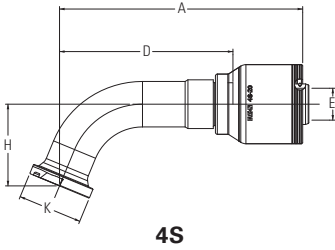
6S Fittings

For use with hoses:

FC500-32;
 FC273B-20,-24,-32;
 FC606-16,-20,-24;
 EC810-20,-24,-32;
 GH466-20,-24

SAE Code 61 Flange (FLE)

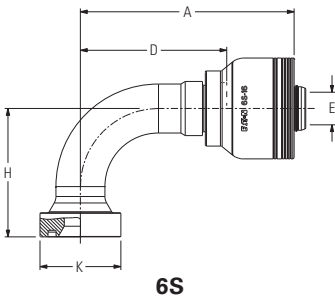
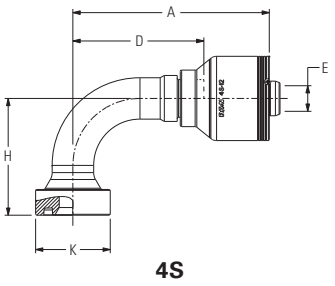
67.5° Elbow



# Part Number	Terminal End	Hose Size		Flange Head Dia. K Ø		A		D		E Ø		H	
		DN	Dash size	mm	in	mm	in	mm	in	mm	in	mm	in
4S12FLE12	-12	19	-12	38,1	1.50	128,6	5.06	92,4	3.64	14,2	0.56	43,2	1.70
4S16FLE12	-16	19	-12	44,4	1.75	147,0	5.79	110,8	4.36	14,2	0.56	51,5	2.03
4S16FLE16	-16	25	-16	44,4	1.75	150,1	5.91	110,3	4.34	19,2	0.76	51,5	2.03
4S20FLE16	-20	25	-16	50,8	2.00	175,4	6.91	135,7	5.34	19,2	0.76	64,4	2.54
4S20FLE20	-20	31	-20	50,8	2.00	191,8	7.55	136,8	5.39	25,2	0.99	64,4	2.54
4S24FLE20	-24	31	-20	60,4	2.38	180,8	7.12	125,8	4.95	25,2	0.99	59,5	2.34
4S24FLE24	-24	38	-24	60,3	2.37	244,2	9.61	166,2	6.54	31,1	1.22	75,2	2.96
4S32FLE24	-32	38	-24	71,4	2.81	294,1	11.58	216,1	8.51	31,1	1.22	99,3	3.91
4S32FLE32	-32	51	-32	71,4	2.81	297,0	11.69	219,0	8.62	42,1	1.66	99,3	3.91

SAE Code 61 Flange (FLB)

90° Elbow



# Part Number	Terminal End	Hose Size		Flange Head Dia. K Ø		A		D		E Ø		H	
		DN	Dash size	mm	in	mm	in	mm	in	mm	in	mm	in
4S12FLB12	-12	19	-12	38,1	1.50	108,5	4.27	72,3	2.85	14,2	0.56	59,0	2.32
4S16FLB12	-16	19	-12	44,4	1.75	122,8	4.84	86,6	3.41	14,2	0.56	71,0	2.80
4S20FLB12	-20	19	-12	50,8	2.00	108,5	4.72	72,3	2.85	14,2	0.56	65,0	2.56
4S16FLB16	-16	25	-16	44,4	1.75	126,0	4.96	86,2	3.39	19,2	0.76	71,0	2.80
4S16FLB16.116	-16	25	-16	44,4	1.75	126,0	4.96	86,2	3.39	19,2	0.76	116,0	4.57
4S20FLB16	-20	25	-16	50,8	2.00	145,2	5.72	105,4	4.15	19,2	0.76	89,0	3.50
4S24FLB16	-24	25	-16	60,4	2.38	136,5	5.37	96,8	3.81	19,2	0.76	81,9	3.22
4S16FLB20	-16	31	-20	44,4	1.75	147,1	5.79	91,9	3.62	25,2	0.99	71,0	2.80
4S20FLB20	-20	31	-20	50,8	2.00	161,8	6.37	106,5	4.19	25,2	0.99	89,0	3.50
4S24FLB20	-24	31	-20	60,4	2.38	152,9	6.02	97,9	3.85	25,2	0.99	81,9	3.22
4S24FLB24	-24	38	-24	60,3	2.37	208,9	8.22	130,9	5.15	31,1	1.22	104,0	4.09
4S32FLB24	-32	38	-24	71,4	2.81	247,4	9.74	169,4	6.67	31,1	1.22	138,0	5.43
4S32FLB32	-32	51	-32	71,4	2.81	250,3	9.85	172,2	6.78	42,1	1.66	138,0	5.43
6S	Dash size	DN	Dash size	mm	in	mm	in	mm	in	mm	in	mm	in
6S16FLB16	-16	25	-16	44,4	1.75	126,0	4.96	86,2	3.39	19,2	0.76	71,0	2.80
6S20FLB16	-20	25	-16	50,8	2.00	145,2	5.72	105,4	4.15	19,2	0.76	89,0	3.50
6S20FLB20	-20	31	-20	50,8	2.00	162,5	6.40	106,5	4.19	25,2	0.99	89,0	3.50
6S24FLB24	-24	38	-24	60,3	2.37	208,8	8.22	130,8	5.15	31,1	1.22	104,0	4.09
6S32FLB24	-32	38	-24	71,4	2.81	247,4	9.74	169,4	6.67	31,1	1.22	138,0	5.43
6S32FLB32	-32	51	-32	71,4	2.81	250,3	9.85	172,2	6.78	42,1	1.66	138,0	5.43

4S/6S Fitting series

4S Fittings

For use with hoses:

EC525-12,-16,-20,-24,-32; GH493-12,-16,-20,-24,-32;
 FC636-12,-16,-20,-24,-32;
 FC736-12,-16,-20,-24,-32; FC500-12,-16,-20,-24;
 FC273B-12,-16;
 GH506-12,-16,-20,-24,-32; FC254-12,-16,-20,-24,-32;
 EC810-12,-16;

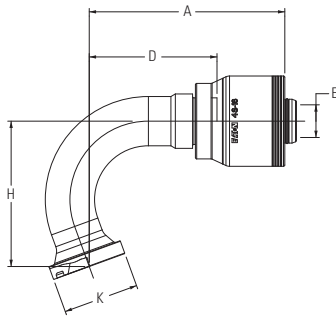
6S Fittings

For use with hoses:

FC500-32;
 FC273B-20,-24,-32;
 FC606-16,-20,-24;
 EC810-20,-24,-32;
 GH466-20,-24

SAE Code 61 Flange (FLH)

110° Elbow

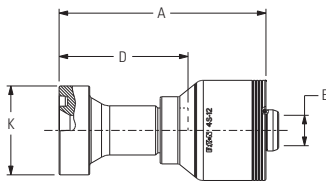


4S

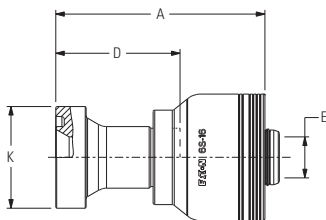
# Part Number	Terminal End	Hose Size		Flange Head Dia. K Ø		A		D		E Ø		H	
		DN	Dash size	mm	in	mm	in	mm	in	mm	in	mm	in
4S16FLH16	-16	25	-16	44,4	1.75	114,6	4.51	74,9	2.95	19,2	0.76	85,2	3.35

SAE Code 62 Flange (FH)

Straight



4S

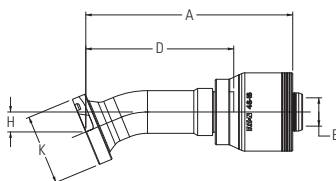


6S

# Part Number	Terminal End	Hose Size		Flange Head Dia. K Ø		A		D		E Ø	
		DN	Dash size	mm	in	mm	in	mm	in	mm	in
4S12FH12	-12	19	-12	41,3	1.63	90,7	3.57	54,5	2.15	14,2	0.56
4S16FH12	-16	19	-12	47,7	1.88	90,2	3.55	54,0	2.13	14,2	0.56
4S12FH16	-12	25	-16	41,3	1.63	96,3	3.79	56,7	2.23	14,2	0.56
4S16FH16	-16	25	-16	47,7	1.88	98,9	3.89	59,1	2.33	19,2	0.76
4S20FH16	-20	25	-16	54,0	2.13	100,8	3.97	61,0	2.40	19,2	0.76
4S16FH20	-16	31	-20	47,7	1.88	123,8	4.87	68,6	2.70	25,2	0.99
4S20FH20	-20	31	-20	54,0	2.13	123,3	4.85	68,1	2.68	25,2	0.99
4S24FH20	-24	31	-20	63,5	2.50	129,0	5.08	73,9	2.91	25,2	0.99
4S24FH24	-24	38	-24	63,5	2.50	189,6	7.46	111,6	4.39	31,1	1.22
4S32FH24	-32	38	-24	79,4	3.13	204,4	8.05	126,4	4.89	31,1	1.22
4S32FH32	-32	51	-32	79,4	3.13	202,7	7.98	124,7	4.91	42,1	1.66
6S	Dash size	DN	Dash size	mm	in	mm	in	mm	in	mm	in
6S16FH16	-16	25	-16	47,7	1.88	98,8	3.89	59,2	2.33	19,2	0.76
6S20FH16	-20	25	-16	54,0	2.13	100,8	3.97	61,0	2.40	19,2	0.76
6S20FH20	-20	31	-20	54,0	2.13	124,0	4.88	68,1	2.68	25,2	0.99
6S24FH20	-24	31	-20	63,5	2.50	129,8	5.11	73,9	2.91	25,2	0.99
6S24FH24	-24	38	-24	63,5	2.50	189,6	7.46	111,6	4.39	31,1	1.22
6S32FH24	-32	38	-24	79,4	3.13	204,4	8.05	126,4	4.98	31,1	1.22
6S32FH32	-32	51	-32	79,4	3.13	202,7	7.98	124,7	4.91	42,1	1.66

SAE Code 62 Flange (FHD)

22.5° Elbow



4S

# Part Number	Terminal End	Hose Size		Flange Head Dia. K Ø		A		D		E Ø		H	
		DN	Dash size	mm	in	mm	in	mm	in	mm	in	mm	in
4S16FHD16	-16	25	-16	47,7	1.88	140,0	5.51	100,1	3.94	19,2	0.76	13,5	0.53
4S20FHD16	-20	25	-16	54,0	2.13	160,9	6.33	121,2	4.77	19,2	0.76	16,3	0.64
4S32FHD32	-32	51	-32	79,4	3.13	269,6	10.61	191,5	7.54	42,1	1.66	23,5	0.93

4S/6S Fitting series

4S Fittings

For use with hoses:

EC525-12,-16,-20,-24,-32; GH493-12,-16,-20,-24,-32;
 FC636-12,-16,-20,-24,-32;
 FC736-12,-16,-20,-24,-32; FC500-12,-16,-20,-24;
 FC273B-12,-16;
 GH506-12,-16,-20,-24,-32; FC254-12,-16,-20,-24,-32;
 EC810-12,-16;

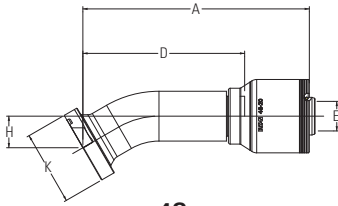
6S Fittings

For use with hoses:

FC500-32;
 FC273B-20,-24,-32;
 FC606-16,-20,-24;
 EC810-20,-24,-32;
 GH466-20,-24

SAE Code 62 Flange (FHF)

30° Elbow

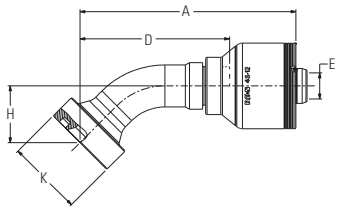


4S

# Part Number	Terminal End Dash size	Hose Size		Flange Head Dia. K Ø		A		D		E Ø		H	
		DN	Dash size	mm	in	mm	in	mm	in	mm	in	mm	in
4S24FHF20	-20	31	-20	63,5	2.50	192,6	7.58	137,6	5.42	25,2	0.99	26,8	1.06
4S32FHF32	-32	51	-32	79,4	3.13	265,8	10.47	187,8	7.39	42,1	1.66	33,9	1.34

SAE Code 62 Flange (FHA)

45° Elbow

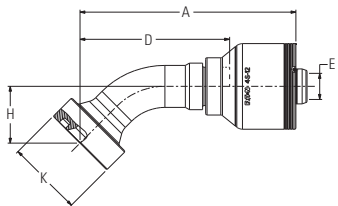


4S

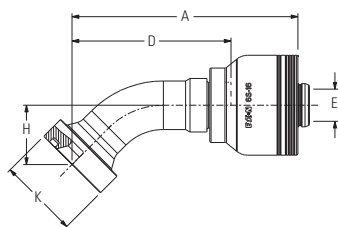
# Part Number	Terminal End Dash size	Hose Size		Flange Head Dia. K Ø		A		D		E Ø		H	
		DN	Dash size	mm	in	mm	in	mm	in	mm	in	mm	in
4S12FHA12	-12	19	-12	41,3	1.63	113,8	4.48	77,6	3.06	14,2	0.56	27,0	1.06
4S16FHA12	-16	19	-12	47,7	1.88	128,0	5.04	91,7	3.61	14,2	0.56	32,0	1.26
4S12FHA16	-12	25	-16	41,3	1.63	116,9	4.60	77,2	3.04	15,1	0.59	27,0	1.06
4S16FHA16	-16	25	-16	47,7	1.88	130,9	5.15	91,2	3.59	19,2	0.76	32,0	1.26
4S20FHA16	-20	25	-16	54,0	2.13	150,2	5.91	110,5	4.35	19,2	0.76	39,0	1.54
4S20FHA20	-20	31	-20	54,0	2.13	166,6	6.56	111,6	4.39	25,2	0.99	39,0	1.54
4S24FHA20	-24	31	-20	63,5	2.50	183,2	7.21	128,2	5.05	25,2	0.99	45,0	1.77
4S24FHA24	-24	38	-24	63,5	2.50	214,1	8.43	136,1	5.36	31,1	1.22	45,0	1.77
4S32FHA24	-32	38	-24	79,4	3.13	251,0	9.88	173,0	6.81	31,1	1.22	57,5	2.26
4S32FHA32	-32	51	-32	79,4	3.13	253,9	10.00	175,9	6.93	42,1	1.66	57,5	2.26
6S	Dash size	DN	Dash size	mm	in	mm	in	mm	in	mm	in	mm	in
6S16FHA16	-16	25	-16	47,7	1.88	130,9	5.15	91,2	3.59	19,2	0.76	32,0	1.26
6S20FHA16	-20	25	-16	54,0	2.13	150,2	5.91	110,0	4.35	19,0	0.75	39,0	1.54
6S20FHA20	-20	31	-20	54,0	2.13	167,6	6.60	111,6	4.39	25,2	0.99	39,0	1.54
6S24FHA20	-24	31	-20	63,5	2.50	184,2	7.25	128,2	5.05	25,2	0.99	45,0	1.77
6S24FHA24	-24	38	-24	63,5	2.50	214,1	8.43	136,1	5.36	31,1	1.22	45,0	1.77
6S32FHA24	-32	38	-24	79,4	3.13	251,0	9.88	173,0	6.81	31,1	1.22	57,5	2.26
6S32FHA32	-32	51	-32	79,4	3.13	253,9	10.00	175,9	6.93	42,1	1.66	57,5	2.26

SAE Code 62 Flange (FHG)

60° Elbow



4S



6S

# Part Number	Terminal End Dash size	Hose Size		Flange Head Dia. K Ø		A		D		E Ø		H	
		DN	Dash size	mm	in	mm	in	mm	in	mm	in	mm	in
4S12FHG12	-12	19	-12	41,3	1.63	133,9	5.27	97,7	3.85	14,2	0.56	37,6	1.48
4S16FHG16	-16	25	-16	47,7	1.88	156,4	6.16	116,6	4.59	19,2	0.76	44,6	1.76
4S32FHG32	-32	51	-32	79,4	3.13	309,1	12.17	231,1	9.10	42,1	1.66	85,8	3.38
6S	Dash size	DN	Dash size	mm	in	mm	in	mm	in	mm	in	mm	in
6S16FHG16	-16	25	-16	47,7	1.88	156,4	6.16	116,6	4.59	19,2	0.76	44,7	1.76
6S20FHG16	-20	25	-16	54,0	2.13	183,3	7.22	143,5	5.65	19,2	0.76	55,8	2.20
6S20FHG20	-20	31	-20	54,0	2.13	200,6	7.90	144,6	5.69	25,2	0.99	55,8	2.20

4S/6S Fitting series

4S Fittings

For use with hoses:

EC525-12,-16,-20,-24,-32; GH493-12,-16,-20,-24,-32;
 FC636-12,-16,-20,-24,-32;
 FC736-12,-16,-20,-24,-32; FC500-12,-16,-20,-24;
 FC273B-12,-16;
 GH506-12,-16,-20,-24,-32; FC254-12,-16,-20,-24,-32;
 EC810-12,-16;

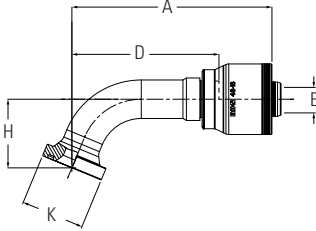
6S Fittings

For use with hoses:

FC500-32;
 FC273B-20,-24,-32;
 FC606-16,-20,-24;
 EC810-20,-24,-32;
 GH466-20,-24

SAE Code 62 Flange (FHE)

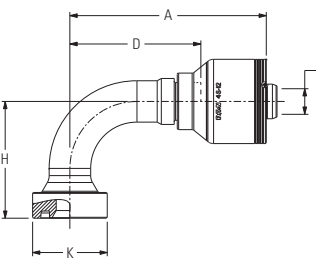
67.5° Elbow



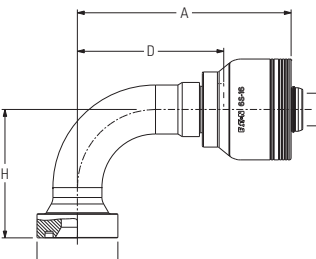
4S

SAE Code 62 Flange (FHB)

90° Elbow



4S



6S

# Part Number	Terminal End Dash size	Hose Size		Flange Head Dia. K Ø		A		D		E Ø		H	
		DN	Dash size	mm	in	mm	in	mm	in	mm	in	mm	in
4S32FHE32	-32	51	-32	79,4	3.13	297,0	11.69	219,0	8.62	42,1	1.66	99,3	3.91

# Part Number	Terminal End Dash size	Hose Size		Flange Head Dia. K Ø		A		D		E Ø		H	
		DN	Dash size	mm	in	mm	in	mm	in	mm	in	mm	in
4S12FHB12	-12	19	-12	41,3	1.63	108,5	4.27	72,3	2.85	14,2	0.56	59,0	2.32
4S16FHB12	-16	19	-12	47,7	1.88	122,9	4.84	86,6	3.41	14,2	0.56	71,0	2.80
4S16FHB16	-16	25	-16	47,7	1.88	125,5	4.94	86,1	3.39	19,2	0.76	71,0	2.80
4S16FHB16.120	-16	25	-16	47,7	1.88	126,0	4.96	86,2	3.39	19,2	0.76	120,0	4.72
4S20FHB16	-20	25	-16	54,0	2.13	145,3	5.72	105,4	4.15	19,2	0.76	89,0	3.50
4S16FHB20	-16	31	-20	47,7	1.88	147,1	5.79	91,9	3.62	25,2	0.99	71,0	2.80
4S20FHB20	-20	31	-20	54,0	2.13	161,5	6.36	106,5	4.19	25,2	0.99	89,0	3.50
4S20FHB20.120	-20	31	-20	54,0	2.13	161,5	6.36	106,5	4.19	25,2	0.99	120,0	4.72
4S24FHB20	-24	31	-20	63,5	2.50	178,0	7.01	123,0	4.84	25,2	0.99	104,0	4.09
4S24FHB24	-24	38	-24	63,5	2.50	208,9	8.22	130,8	5.15	31,1	1.22	104,0	4.09
4S32FHB24	-32	38	-24	79,4	3.13	247,4	9.74	169,4	6.67	31,1	1.22	138,0	5.43
4S32FHB32	-32	51	-32	79,4	3.13	250,3	9.85	172,2	6.78	42,1	1.66	138,0	5.43
6S	Dash size	DN	Dash size	mm	in	mm	in	mm	in	mm	in	mm	in
6S16FHB16	-16	25	-16	47,7	1.88	125,5	4.94	86,1	3.39	19,2	0.76	71,0	2.80
6S20FHB16	-20	25	-16	54,0	2.13	145,3	5.72	105,4	4.15	19,2	0.76	89,0	3.50
6S16FHB20	-16	31	-20	47,7	1.88	147,9	5.82	91,9	3.62	25,2	0.99	71,0	2.80
6S20FHB20	-20	31	-20	54,0	2.13	162,5	6.40	106,5	4.19	25,2	0.99	89,0	3.50
6S24FHB20	-24	31	-20	63,5	2.50	179,0	7.05	123,0	4.84	25,2	0.99	104,0	4.09
6S24FHB24	-24	38	-24	63,5	2.50	208,9	8.22	130,8	5.15	31,1	1.22	104,0	4.09
6S32FHB24	-32	38	-24	79,4	3.13	247,4	9.74	169,4	6.67	31,1	1.22	138,0	5.43
6S32FHB32	-32	51	-32	79,4	3.13	250,3	9.85	172,2	6.78	42,1	1.66	138,0	5.43

4S/6S Fitting series

4S Fittings

For use with hoses:

EC525-12,-16,-20,-24,-32; GH493-12,-16,-20,-24,-32;
 FC636-12,-16,-20,-24,-32;
 FC736-12,-16,-20,-24,-32; FC500-12,-16,-20,-24;
 FC273B-12,-16;
 GH506-12,-16,-20,-24,-32; FC254-12,-16,-20,-24,-32;
 EC810-12,-16;

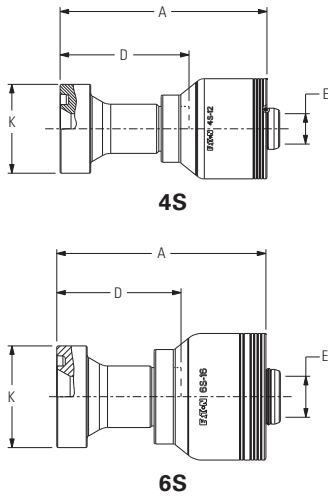
6S Fittings

For use with hoses:

FC500-32;
 FC273B-20,-24,-32;
 FC606-16,-20,-24;
 EC810-20,-24,-32;
 GH466-20,-24

CAT® Flange (CT)

Straight

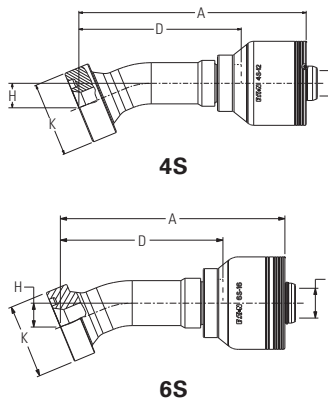


# Part Number	Terminal End Dash size	Hose Size		Flange Head Dia. K Ø		A		D		E Ø	
		DN	Dash size	mm	in	mm	in	mm	in	mm	in
4S											
4S12CT12	-12	19	-12	41,3	1.63	96,2	3.79	60,0	2.36	14,2	0.56
4S16CT12	-16	19	-12	47,6	1.87	94,9	3.74	58,7	2.31	14,2	0.56
4S16CT16	-16	25	-16	47,6	1.87	102,1	4.02	62,3	2.45	19,2	0.76
4S20CT16	-20	25	-16	54,0	2.13	104,8	4.13	65,0	2.56	19,2	0.76
4S20CT20	-20	31	-20	54,0	2.13	124,5	4.90	69,1	2.72	25,2	0.99
4S24CT20**	-24	31	-20	63,5	2.50	130,9	5.15	75,9	2.99	25,2	0.99
4S24CT24	-24	38	-24	63,5	2.50	195,0	7.68	117,0	4.61	31,1	1.22
4S32CT24	-32	38	-24	79,4	3.13	206,0	8.11	128,0	5.04	31,1	1.22
4S32CT32	-32	51	-32	79,4	3.13	208,9	8.22	130,9	5.15	42,1	1.66
6S											
6S16CT16	-16	25	-16	47,6	1.87	102,1	4.02	62,3	2.45	19,2	0.76
6S20CT16	-20	25	-16	54,0	2.13	104,8	4.13	65,0	2.56	19,2	0.76
6S20CT20	-20	31	-20	54,0	2.13	125,2	4.93	69,1	2.72	25,2	0.99
6S24CT20	-24	31	-20	63,5	2.50	131,8	5.19	75,9	2.99	25,2	0.99
6S24CT24	-24	38	-24	63,5	2.50	195,0	7.68	117,0	4.61	31,1	1.22
6S32CT24	-32	38	-24	79,4	3.13	206,0	8.11	128,1	5.04	31,1	1.22
6S32CT32	-32	51	-32	79,4	3.13	208,9	8.22	130,9	5.15	42,1	1.66

** Note: Items will be available in the near future. Communication will be sent when available.

CAT® Flange (CTD)

22.5° Elbow



# Part Number	Terminal End Dash size	Hose Size		Flange Head Dia. K Ø		A		D		E Ø		H	
		DN	Dash size	mm	in	mm	in	mm	in	mm	in	mm	in
4S													
4S12CTD12	-12	19	-12	41,3	1.63	126,2	4.97	90,2	3.55	14,2	0.56	13,6	0.54
4S16CTD16	-16	25	-16	47,6	1.87	144,2	5.68	104,4	4.11	19,2	0.76	15,3	0.60
4S20CTD16	-20	25	-16	54,0	2.13	164,5	6.48	124,8	4.91	19,2	0.76	17,8	0.70
4S20CTD20**	-20	31	-20	54,0	2.13	181,9	7.16	125,9	4.96	25,2	0.99	17,8	0.70
4S24CTD20**	-24	31	-20	63,5	2.50	198,0	7.80	142,0	5.59	25,2	0.99	19,4	0.76
4S24CTD24	-24	38	-24	63,5	2.50	227,9	8.97	149,9	5.90	31,1	1.22	19,4	0.76
4S32CTD32	-32	51	-32	79,4	3.13	271,1	10.67	193,0	7.60	42,1	1.66	24,2	0.95
6S													
6S16CTD16	-16	25	-16	47,6	1.87	144,2	5.68	104,4	4.11	19,2	0.76	15,3	0.60
6S20CTD16	-20	25	-16	54,0	2.13	164,5	6.48	124,8	4.91	19,2	0.76	17,8	0.70
6S20CTD20	-20	31	-20	54,0	2.13	181,9	7.16	125,9	4.96	25,2	0.99	17,8	0.70
6S24CTD20	-24	31	-20	63,5	2.50	198,0	7.80	142,0	5.59	25,2	0.99	19,4	0.76
6S24CTD24	-24	38	-24	63,5	2.50	227,9	8.97	149,9	5.90	31,1	1.22	19,4	0.76
6S32CTD32	-32	51	-32	79,4	3.13	271,1	10.67	193,0	7.60	42,1	1.66	24,2	0.95

** Note: Items will be available in the near future. Communication will be sent when available.

4S/6S Fitting series

4S Fittings

For use with hoses:

EC525-12,-16,-20,-24,-32; GH493-12,-16,-20,-24,-32;
 FC636-12,-16,-20,-24,-32;
 FC736-12,-16,-20,-24,-32; FC500-12,-16,-20,-24;
 FC273B-12,-16;
 GH506-12,-16,-20,-24,-32; FC254-12,-16,-20,-24,-32;
 EC810-12,-16;

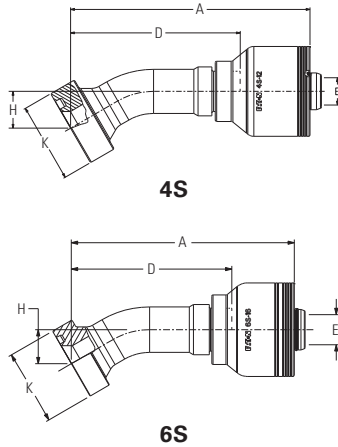
6S Fittings

For use with hoses:

FC500-32;
 FC273B-20,-24,-32;
 FC606-16,-20,-24;
 EC810-20,-24,-32;
 GH466-20,-24

CAT® Flange (CTF)

30° Elbow

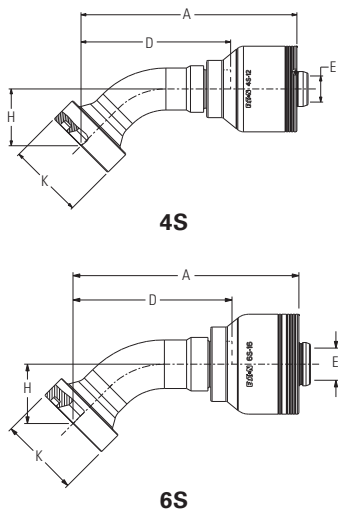


# Part Number	Terminal End Dash size	Hose Size		Flange Head Dia. K Ø		A		D		E Ø		H	
		DN	Dash size	mm	in	mm	in	mm	in	mm	in	mm	in
4S													
4S12CTF12	-12	19	-12	41,3	1.63	124,2	4.89	88,0	3.46	14,2	0.56	19,1	0.75
4S16CTF16	-16	25	-16	47,6	1.87	141,7	5.58	102,0	4.02	19,2	0.76	21,6	0.85
4S20CTF16	-20	25	-16	54,0	2.13	161,7	6.37	122,0	4.80	19,2	0.76	25,3	1.00
4S20CTF20**	-20	31	-20	54,0	2.13	179,1	7.05	123,1	4.85	25,2	0.99	25,3	1.00
4S24CTF20**	-24	31	-20	63,5	2.50	194,9	7.67	138,9	5.47	25,2	0.99	27,7	1.09
4S24CTF24	-24	38	-24	63,5	2.50	224,8	8.85	146,8	5.78	31,1	1.22	27,7	1.09
4S32CTF32	-32	51	-32	79,4	3.13	267,3	10.52	189,2	7.45	42,1	1.66	34,8	1.37
6S													
6S16CTF16	-16	25	-16	47,6	1.87	141,7	5.58	102,0	4.02	19,2	0.76	21,6	0.85
6S20CTF16	-20	25	-16	54,0	2.13	161,7	6.37	122,0	4.80	19,2	0.76	25,3	1.00
6S20CTF20	-20	31	-20	54,0	2.13	179,1	7.05	123,1	4.85	25,2	0.99	25,3	1.00
6S24CTF20	-24	31	-20	63,5	2.50	194,9	7.67	138,9	5.47	25,2	0.99	27,7	1.09
6S24CTF24	-24	38	-24	63,5	2.50	224,8	8.85	146,8	5.78	31,1	1.22	27,7	1.09
6S32CTF24	-32	38	-24	79,4	3.13	264,3	10.41	186,3	7.34	31,1	1.22	34,8	1.37
6S32CTF32	-32	51	-32	79,4	3.13	267,3	10.52	189,2	7.45	42,1	1.66	34,8	1.37

** Note: Items will be available in the near future. Communication will be sent when available.

CAT® Flange (CTA)

45° Elbow



# Part Number	Terminal End Dash size	Hose Size		Flange Head Dia. K Ø		A		D		E Ø		H	
		DN	Dash size	mm	in	mm	in	mm	in	mm	in	mm	in
4S													
4S12CTA12	-12	19	-12	41,3	1.63	117,7	4.63	81,5	3.21	14,2	0.56	30,9	1.22
4S16CTA12	-16	19	-12	47,6	1.87	131,2	5.17	95,0	3.74	14,2	0.56	35,3	1.39
4S16CTA16	-16	25	-16	47,6	1.87	134,3	5.29	94,6	3.72	19,2	0.76	35,3	1.39
4S20CTA16	-20	25	-16	54,0	2.13	153,0	6.02	113,2	4.46	19,2	0.76	41,8	1.65
4S20CTA20	-20	31	-20	54,0	2.13	169,4	6.67	114,3	4.50	25,2	0.99	41,8	1.65
4S24CTA20**	-24	31	-20	63,5	2.50	185,3	7.30	129,1	5.08	25,2	0.99	46,2	1.82
4S24CTA24	-24	38	-24	63,5	2.50	215,2	8.47	137,2	5.40	31,1	1.22	46,2	1.82
4S32CTA32	-32	51	-32	79,4	3.13	255,1	10.04	177,0	6.97	42,1	1.66	58,7	1.31
6S													
6S16CTA16	-16	25	-16	47,6	1.87	134,3	5.29	94,6	3.72	19,2	0.76	35,3	1.39
6S20CTA16	-20	25	-16	54,0	2.13	153,0	6.02	113,2	4.46	19,2	0.76	41,8	1.65
6S20CTA20	-20	31	-20	54,0	2.13	170,3	6.70	114,3	4.50	25,2	0.99	41,8	1.65
6S24CTA20	-24	31	-20	63,5	2.50	185,3	7.30	129,1	5.08	25,2	0.99	46,2	1.82
6S24CTA24	-24	38	-24	63,5	2.50	215,2	8.47	137,2	5.40	31,1	1.22	46,2	1.82
6S32CTA24	-32	38	-24	79,4	3.13	252,2	9.93	174,2	6.86	31,1	1.22	58,7	2.31
6S32CTA32	-32	51	-32	79,4	3.13	255,1	10.04	177,0	6.97	42,1	1.66	58,7	2.31

** Note: Items will be available in the near future. Communication will be sent when available.

4S/6S Fitting series

4S Fittings

For use with hoses:

EC525-12,-16,-20,-24,-32; GH493-12,-16,-20,-24,-32;
 FC636-12,-16,-20,-24,-32;
 FC736-12,-16,-20,-24,-32; FC500-12,-16,-20,-24;
 FC273B-12,-16;
 GH506-12,-16,-20,-24,-32; FC254-12,-16,-20,-24,-32;
 EC810-12,-16;

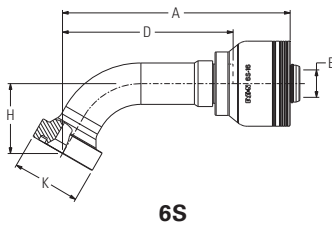
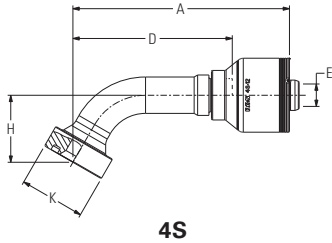
6S Fittings

For use with hoses:

FC500-32;
 FC273B-20,-24,-32;
 FC606-16,-20,-24;
 EC810-20,-24,-32;
 GH466-20,-24

CAT® Flange (CTG)

60° Elbow

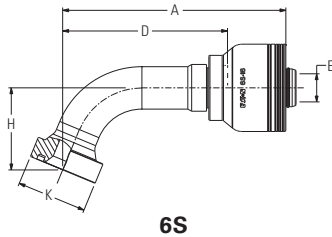
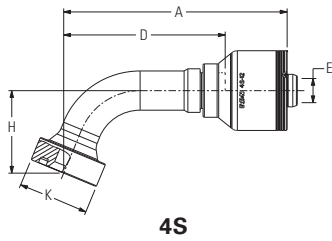


# Part Number	Terminal End	Hose Size		Flange Head Dia. K Ø		A		D		E Ø		H	
		DN	Dash size	mm	in	mm	in	mm	in	mm	in	mm	in
4S	Dash size	DN	Dash size	mm	in	mm	in	mm	in	mm	in	mm	in
4S12CTG12	-12	19	-12	41,3	1.63	136,6	5.38	100,5	3.96	14,2	0.56	42,3	1.67
4S16CTG16	-16	25	-16	47,6	1.87	158,8	6.25	119,0	4.69	19,2	0.76	48,7	1.92
4S20CTG16	-20	25	-16	54,0	2.13	185,2	7.29	145,5	5.73	19,2	0.76	59,2	2.33
4S20CTG20**	-20	31	-20	54,0	2.13	202,6	7.98	146,6	5.77	25,2	0.99	59,2	2.33
4S24CTG20**	-24	31	-20	63,5	2.50	224,3	8.83	168,3	6.63	25,2	0.99	66,6	2.62
4S24CTG24	-24	38	-24	63,5	2.50	254,2	10.01	176,2	6.94	31,1	1.22	66,6	2.62
4S32CTG32	-32	51	-32	79,4	3.13	310,0	12.20	231,9	9.13	42,1	1.66	87,3	3.44
6S	Dash size	DN	Dash size	mm	in	mm	in	mm	in	mm	in	mm	in
6S16CTG16	-16	25	-16	47,6	1.87	158,8	6.25	119,0	4.69	19,2	0.76	48,7	1.92
6S20CTG16	-20	25	-16	54,0	2.13	185,2	7.29	145,5	5.73	19,2	0.76	59,2	2.33
6S20CTG20	-20	31	-20	54,0	2.13	202,6	7.98	146,6	5.77	25,2	0.99	59,2	2.33
6S24CTG20	-24	31	-20	63,5	2.50	224,3	8.83	168,3	6.63	25,2	0.99	66,6	2.62
6S24CTG24	-24	38	-24	63,5	2.50	254,2	10.01	176,2	6.94	31,1	1.22	66,6	2.62
6S32CTG24	-32	38	-24	79,4	3.13	307,0	12.09	229,0	9.02	31,1	1.22	87,3	3.44
6S32CTG32	-32	51	-32	79,4	3.13	310,0	12.20	231,9	9.13	42,1	1.66	87,3	3.44

** Note: Items will be available in the near future. Communication will be sent when available.

CAT® Flange (CTE)

67.5° Elbow



# Part Number	Terminal End	Hose Size		Flange Head Dia. K Ø		A		D		E Ø		H	
		DN	Dash size	mm	in	mm	in	mm	in	mm	in	mm	in
4S	Dash size	DN	Dash size	mm	in	mm	in	mm	in	mm	in	mm	in
4S12CTE12	-12	19	-12	41,3	1.63	130,7	5.15	94,5	3.72	14,2	0.56	48,3	1.90
4S16CTE16	-16	25	-16	47,6	1.87	151,9	5.98	112,2	4.42	19,2	0.76	55,8	2.20
4S20CTE16	20	25	-16	54,0	2.13	176,9	6.96	137,1	5.40	19,2	0.76	68,1	2.68
4S20CTE20**	-20	31	-20	54,0	2.13	194,2	7.65	138,3	5.44	25,2	0.99	68,1	2.68
4S24CTE20**	-24	31	-20	63,5	2.50	214,9	8.46	159,0	6.26	25,2	0.99	76,8	3.02
4S24CTE24	-24	38	-24	63,5	2.50	244,8	9.64	166,8	6.57	31,1	1.22	76,8	3.02
4S32CTE32	-32	51	-32	79,4	3.13	297,6	11.72	219,6	8.65	42,1	1.66	100,8	3.97
6S	Dash size	DN	Dash size	mm	in	mm	in	mm	in	mm	in	mm	in
6S16CTE16	-16	25	-16	47,6	1.87	151,9	5.98	112,2	4.42	19,2	0.76	55,8	2.20
6S20CTE16	-20	25	-16	54,0	2.13	176,9	6.96	137,1	5.40	19,2	0.76	68,1	2.68
6S20CTE20	-20	31	-20	54,0	2.13	194,2	7.65	138,3	5.44	25,2	0.99	68,1	2.68
6S24CTE20	-24	31	-20	63,5	2.50	214,9	8.46	159,0	6.26	25,2	0.99	76,8	3.02
6S24CTE24	-24	38	-24	63,5	2.50	244,8	9.64	166,8	6.57	31,1	1.22	76,8	3.02
6S32CTE24	-32	38	-24	79,4	3.13	294,7	11.60	216,7	8.53	31,1	1.22	100,8	3.97
6S32CTE32	-32	51	-32	79,4	3.13	297,6	11.72	219,6	8.65	42,1	1.66	100,8	3.97

** Note: Items will be available in the near future. Communication will be sent when available.

4S/6S Fitting series

4S Fittings

For use with hoses:

EC525-12,-16,-20,-24,-32; GH493-12,-16,-20,-24,-32;
 FC636-12,-16,-20,-24,-32;
 FC736-12,-16,-20,-24,-32; FC500-12,-16,-20,-24;
 FC273B-12,-16;
 GH506-12,-16,-20,-24,-32; FC254-12,-16,-20,-24,-32;
 EC810-12,-16;

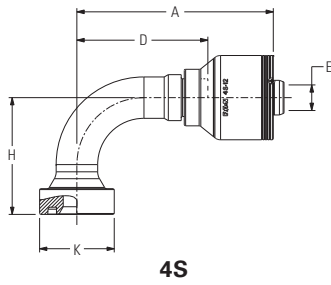
6S Fittings

For use with hoses:

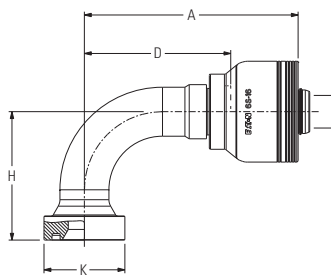
FC500-32;
 FC273B-20,-24,-32;
 FC606-16,-20,-24;
 EC810-20,-24,-32;
 GH466-20,-24

CAT® Flange (CTB)

90° Elbow



4S



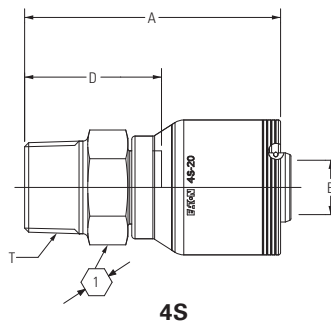
6S

# Part Number	Terminal End Dash size	Hose Size		Flange Head Dia. K Ø		A		D		E Ø		H	
		DN	Dash size	mm	in	mm	in	mm	in	mm	in	mm	in
4S12CTB12	-12	19	-12	41,3	1.63	108,5	4.27	72,3	2.85	14,2	0.56	64,5	2.54
4S16CTB12	-16	19	-12	47,6	1.87	122,8	4.83	86,6	3.41	14,2	0.56	75,7	2.98
4S16CTB16	-16	25	-16	47,6	1.87	126,0	4.96	86,2	3.39	19,2	0.76	75,7	2.98
4S20CTB16	-20	25	-16	54,0	2.13	145,2	5.72	105,4	4.15	19,2	0.76	92,9	3.66
4S20CTB20	-20	31	-20	54,0	2.13	161,5	6.36	106,5	4.19	25,2	0.99	92,9	3.66
4S24CTB20**	-24	31	-20	63,5	2.50	179,0	7.05	123,0	4.84	25,2	0.99	105,6	4.16
4S24CTB24	-24	38	-24	63,5	2.50	208,9	8.22	130,9	5.15	31,1	1.22	105,7	4.16
4S32CTB32	-32	51	-32	79,4	3.13	250,3	9.85	172,2	6.78	42,1	1.66	139,7	5.50
6S16CTB16	-16	25	-16	47,6	1.87	126,0	4.96	86,2	3.39	19,2	0.76	75,7	2.98
6S20CTB16	-20	25	-16	54,0	2.13	145,2	5.72	105,4	4.15	19,2	0.76	92,9	3.66
6S20CTB20	-20	31	-20	54,0	2.13	162,5	6.40	106,5	4.19	25,2	0.99	92,9	3.66
6S24CTB20	-24	31	-20	63,5	2.50	179,0	7.05	123,0	4.84	25,2	0.99	105,6	4.16
6S24CTB24	-24	38	-24	63,5	2.50	208,9	8.22	130,9	5.15	31,1	1.22	105,7	4.16
6S32CTB24	-32	38	-24	69,6	2.74	247,4	9.74	169,4	6.67	31,1	1.22	139,7	5.50
6S32CTB32	-32	51	-32	79,4	3.13	250,3	9.85	172,2	6.78	42,1	1.66	139,7	5.50

** Note: Items will be available in the near future. Communication will be sent when available.

BSP Male Tapered Rigid (BT)

Straight



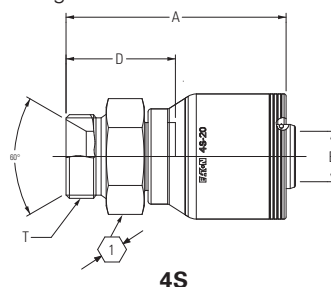
4S

# Part Number	Terminal End Dash size	Hose Size		Thread	A		D		E Ø		1
		DN	Dash size		in	mm	in	mm	in	mm	
4S12BT12	-12	19	-12	R 3/4-14	84,0	3.31	47,7	1.88	14,2	0.56	27,0
4S16BT16	-16	25	-16	R 1-11	94,9	3.74	55,2	2.17	19,2	0.75	36,0
4S20BT20	-20	31	-20	R 1 1/4-11	118,4	4.66	63,3	2.49	25,2	0.99	46,0

"R" as part of thread size is ISO designation for tapered thread.

BSP Male Parallel Rigid (BP)

60° Cone Seat
Straight



4S

# Part Number	Terminal End Dash size	Hose Size		Thread	A		D		E Ø		1
		DN	Dash size		in	mm	in	mm	in	mm	
4S12BP12	-12	19	-12	G 3/4-14	79,6	3.13	43,4	1.71	14,2	0.56	32,0
4S16BP16	-16	25	-16	G 1-11	89,8	3.53	50,1	1.97	19,2	0.75	41,0
4S20BP20	-20	31	-20	G 1 1/4-11	109,7	4.32	54,5	2.15	25,1	0.99	50,0

"G" as part of thread size is ISO designation for parallel thread.

4S/6S Fitting series

4S Fittings

For use with hoses:

EC525-12,-16,-20,-24,-32; GH493-12,-16,-20,-24,-32;
 FC636-12,-16,-20,-24,-32;
 FC736-12,-16,-20,-24,-32; FC500-12,-16,-20,-24;
 FC273B-12,-16;
 GH506-12,-16,-20,-24,-32; FC254-12,-16,-20,-24,-32;
 EC810-12,-16;

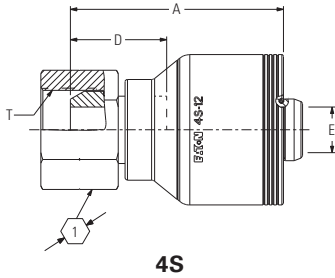
6S Fittings

For use with hoses:

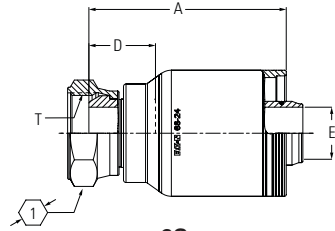
FC500-32;
 FC273B-20,-24,-32;
 FC606-16,-20,-24;
 EC810-20,-24,-32;
 GH466-20,-24

Female BSPP Swivel (BF)

60° Cone Seat
 Straight



4S



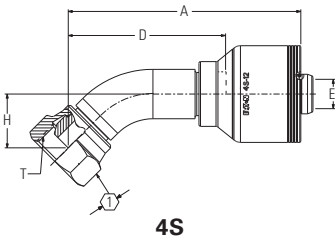
6S

# Part Number	Terminal End Dash size	Hose Size		Thread	A		D		E Ø		1 mm
		DN	Dash size		in	mm	in	mm	in	mm	
4S12BF12	-12	19	-12	G 3/4-14	66,2	2.61	29,9	1.18	14,2	0.56	32,0
4S16BF12	-16	19	-12	G 1-11	68,7	2.70	32,3	1.27	14,2	0.56	41,0
4S16BF16	-16	25	-16	G 1-11	71,0	2.80	32,3	1.27	19,2	0.76	41,0
4S20BF16	-20	25	-16	G 1 1/4-11	72,5	2.85	32,7	1.29	19,2	0.76	50,0
4S20BF20	-20	31	-20	G 1 1/4-11	82,8	3.26	32,7	1.29	25,2	0.99	50,0
4S24BF24	-24	38	-24	G 1 1/2-11	117,9	4.64	39,8	1.57	31,1	1.22	55,0
4S32BF32	-32	51	-32	G 2-11	121,0	4.76	43,0	1.69	42,1	1.66	70,0
6S24BF24	-24	38	-24	G 1 1/2-11	117,9	4.64	39,8	1.57	31,1	1.22	55,0
6S32BF32	-32	51	-32	G 2-11	121,0	4.76	43,0	1.69	42,1	1.66	70,0

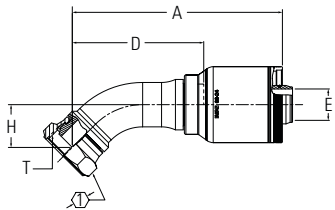
"G" as part of thread size is ISO designation for parallel thread.

Female BSPP Swivel (BFA)

60° Cone Seat
 45° Elbow



4S



6S

# Part Number	Terminal End Dash size	Hose Size		Thread	A		D		E Ø		H	1 mm	
		DN	Dash size		in	mm	in	mm	in	mm			in
4S12BFA12	-12	19	-12	G 3/4-14	112,3	4.42	75,9	2.99	14,2	0.56	26,0	1.02	32,0
4S16BFA12	-16	19	-12	G 1-11	115,8	4.56	79,5	3.13	14,2	0.56	30,0	1.18	41,0
4S16BFA16	-16	25	-16	G 1-11	130,3	5.13	90,6	3.57	19,2	0.76	30,0	1.18	41,0
4S20BFA16	-20	25	-16	G 1 1/4-11	133,0	5.24	93,4	3.68	19,2	0.76	34,0	1.34	50,0
4S20BFA20	-20	31	-20	G 1 1/4-11	149,5	5.89	99,1	3.90	25,2	0.99	34,0	1.34	50,0
4S24BFA24	-24	38	-24	G 1 1/2-11	208,3	8.20	130,3	5.13	31,1	1.22	42,4	1.67	55,0
4S32BFA32	-32	51	-32	G 2-11	248,4	9.78	170,4	6.71	42,1	1.66	54,1	2.13	70,0
6S24BFA24	-24	38	-24	G 1 1/2-11	208,3	8.20	130,3	5.13	31,1	1.22	42,4	1.67	55,0
6S32BFA32	-32	51	-32	G 2-11	248,4	9.78	170,4	6.71	42,1	1.66	54,1	2.13	70,0

"G" as part of thread size is ISO designation for parallel thread.

4S/6S Fitting series

4S Fittings

For use with hoses:

EC525-12,-16,-20,-24,-32; GH493-12,-16,-20,-24,-32;
 FC636-12,-16,-20,-24,-32;
 FC736-12,-16,-20,-24,-32; FC500-12,-16,-20,-24;
 FC273B-12,-16;
 GH506-12,-16,-20,-24,-32; FC254-12,-16,-20,-24,-32;
 EC810-12,-16;

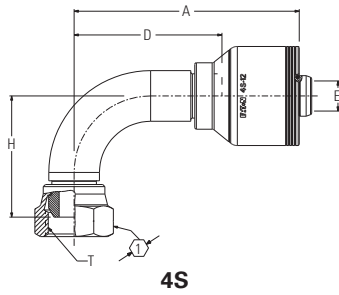
6S Fittings

For use with hoses:

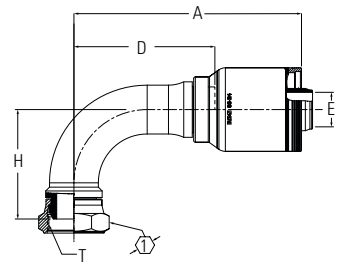
FC500-32;
 FC273B-20,-24,-32;
 FC606-16,-20,-24;
 EC810-20,-24,-32;
 GH466-20,-24

Female BSPP Swivel (BFB)

60° Cone Seat
 90° Elbow



4S



6S

# Part Number	Terminal End	Hose Size		Thread	A		D		E Ø		H		1
		DN	Dash size		in	mm	in	mm	in	mm	in	mm	
4S12BFB12	-12	19	-12	G 3/4-14	105,9	4.17	69,6	2.74	14,2	0.56	57,0	2.24	32,0
4S16BFB12	-16	19	-12	G 1-11	105,9	4.17	69,6	2.74	14,2	0.56	68,0	2.68	41,0
4S16BFB16	-16	25	-16	G 1-11	125,5	4.94	85,8	3.38	19,2	0.76	68,0	2.68	41,0
4S20BFB16	-20	25	-16	G 1 1/4-11	125,5	4.94	85,8	3.38	19,2	0.76	79,0	3.11	50,0
4S20BFB20	-20	31	-20	G 1 1/4-11	145,0	5.71	95,0	3.74	25,2	0.99	79,0	3.11	50,0
4S24BFB24	-24	38	-24	G 1 1/2-11	205,1	8.07	127,0	5.00	31,1	1.22	98,6	3.88	55,0
4S32BFB32	-32	51	-32	G 2-11	245,7	9.67	167,6	6.60	42,1	1.66	125,3	4.93	70,0
6S	Dash size	DN	Dash size	in	mm	in	mm	in	mm	in	mm	in	mm
6S24BFB24	-24	38	-24	G 1 1/2-11	205,1	8.07	127,0	5.00	31,1	1.22	98,6	3.88	55,0
6S32BFB32	-32	51	-32	G 2-11	245,7	9.67	167,6	6.60	42,1	1.66	125,3	4.93	70,0

"G" as part of thread size is ISO designation for parallel thread.

4S/6S Fitting series

4S Fittings

For use with hoses:

EC525-12,-16,-20,-24,-32; GH493-12,-16,-20,-24,-32;
 FC636-12,-16,-20,-24,-32;
 FC736-12,-16,-20,-24,-32; FC500-12,-16,-20,-24;
 FC273B-12,-16;
 GH506-12,-16,-20,-24,-32; FC254-12,-16,-20,-24,-32;
 EC810-12,-16;

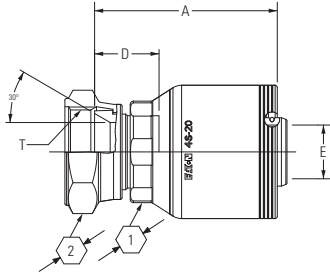
6S Fittings

For use with hoses:

FC500-32;
 FC273B-20,-24,-32;
 FC606-16,-20,-24;
 EC810-20,-24,-32;
 GH466-20,-24

JIS Female Swivel (JF)

30° Flare Seat
 Straight



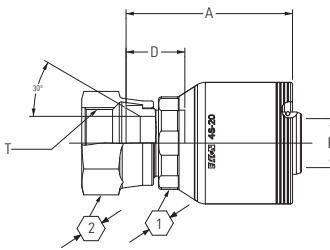
4S

# Part Number	Terminal End	Hose Size		Thread	A		D		E Ø		1		2	
		DN	Dash size		mm	in	mm	in	mm	in	mm	in	mm	in
4S12JF12	-12	19	-12	G 3/4-14	62,4	2.46	26,2	1.03	14,2	0.56	30,0	1 3/16		32,0
4S16JF16	-16	25	-16	G 1-11	66,6	2.62	26,8	1.06	19,2	0.76	41,0	1 5/8		41,0
4S20JF20	-20	31	-20	G 1 1/4-11	85,5	3.37	30,2	1.19	25,2	0.99	46,0	1 13/16		50,0

"G" as part of thread size is ISO designation for parallel thread.

Komatsu Female Swivel (KF)

30° Flare Seat
 Straight

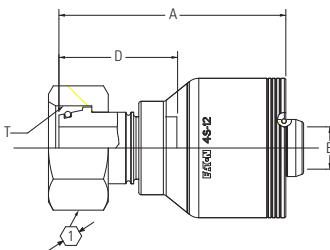


4S

# Part Number	Tube O.D.	Hose Size		Thread	A		D		E Ø		1		2	
		DN	Dash size		mm	in	mm	in	mm	in	mm	in	mm	in
4S12KF12	-12	19	-12	M30X1.5	62,4	2.46	26,2	1.03	14,2	0.56	30,0	1 3/16		36,0
4S16KF16	-16	25	-16	M33X1.5	66,6	2.62	26,8	1.06	19,2	0.76	41,0	1 5/8		41,0
4S20KF20	-20	31	-20	M36X1.5	85,5	3.37	30,2	1.19	25,2	0.99	46,0	1 13/16		46,0

Female Swivel DIN 24° seat (DL)

I.Rh DKO (Light)
 Straight

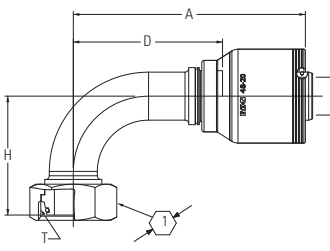


4S

# Part Number	Tube O.D.	Hose Size		Thread	A		D		E Ø		1	
		DN	Dash size		mm	in	mm	in	mm	in	mm	in
4S20DL12	-20	19	-12	M30X2	76,0	2.99	39,7	1.56	14,2	0.56		36,0
4S25DL16	-25	25	-16	M36X2	79,7	3.14	40,3	1.59	19,2	0.76		41,0
4S32DL20	-32	31	-20	M45X2	100,5	3.96	45,5	1.79	25,2	0.99		50,0

Female Swivel DIN 24° Seat (DLB)

I.Rh DKO (Light)
 90° Elbow



4S

# Part Number	Tube O.D.	Hose Size		Thread	A		D		E Ø		H		1	
		DN	Dash size		mm	in	mm	in	mm	in	mm	in	mm	in
4S20DLB12	-20	19	-12	M30X2	106,1	4.18	69,8	2.75	14,2	0.56	50,7	2.00		36,0
4S32DLB20	-32	31	-20	M45X2	154,2	6.07	99,2	3.90	25,2	0.99	79,0	3.11		50,0

4S/6S Fitting series

4S Fittings

For use with hoses:

EC525-12,-16,-20,-24,-32; GH493-12,-16,-20,-24,-32;
 FC636-12,-16,-20,-24,-32;
 FC736-12,-16,-20,-24,-32; FC500-12,-16,-20,-24;
 FC273B-12,-16;
 GH506-12,-16,-20,-24,-32; FC254-12,-16,-20,-24,-32;
 EC810-12,-16;

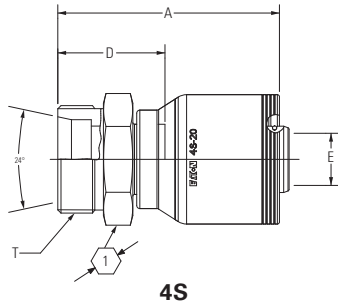
6S Fittings

For use with hoses:

FC500-32;
 FC273B-20,-24,-32;
 FC606-16,-20,-24;
 EC810-20,-24,-32;
 GH466-20,-24

Male DIN 24° Seat Rigid (EK)

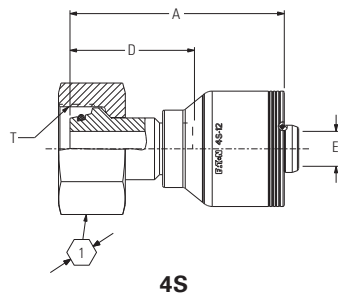
S.Rh. DKO (Heavy)
 Straight



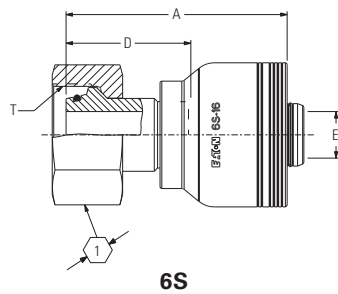
# Part Number	Tube O.D. Dash size	Hose Size		Thread	A		D		E Ø		1
		DN	Dash size		mm	in	mm	in	mm	in	
4S20EK12	-20	19	-12	M36X2	78,6	3.09	42,3	1.67	14,2	0.56	41,0
4S25EK16	-25	25	-16	M42X2	83,7	3.30	44,0	1.73	19,2	0.75	46,0
4S32EK20	-32	31	-20	M52X2	106,9	4.21	51,7	2.04	25,2	0.99	55,0

Female Swivel DIN 24° Seat (DS)

S.Rh DKO (Heavy)
 Straight



# Part Number	Tube O.D. Dash size	Hose Size		Thread	A		D		E Ø		1
		DN	Dash size		mm	in	mm	in	mm	in	
4S16DS12	-16	19	-12	M30X2	73,7	2.90	37,4	1.47	14,2	0.56	36,0
4S20DS12	-20	19	-12	M36X2	86,6	3.41	50,3	1.98	14,2	0.56	46,0
4S25DS12	-25	19	-12	M42X2	88,2	3.47	51,9	2.04	14,2	0.56	50,0
4S25DS16	-25	25	-16	M42X2	91,1	3.59	51,4	2.02	19,2	0.76	50,0
4S32DS16	-32	25	-16	M52X2	94,5	3.72	55,3	2.18	19,2	0.76	60,0
4S25DS20	-25	31	-20	M42X2	96,6	3.80	41,6	1.64	22,1	0.87	50,0
4S32DS20	-32	31	-20	M52X2	111,5	4.39	56,5	2.22	25,2	0.99	60,0
6S	Dash size	DN	Dash size	Metric	mm	in	mm	in	mm	in	mm
6S25DS16	-25	25	-16	M42X2	91,1	3.59	51,4	2.02	19,2	0.76	50,0
6S32DS16	-32	25	-16	M52X2	95,0	3.74	55,3	2.18	19,2	0.76	60,0
6S32DS20	-32	31	-20	M52X2	112,5	4.43	56,5	2.22	25,2	0.99	60,0



4S/6S Fitting series

4S Fittings

For use with hoses:

EC525-12,-16,-20,-24,-32; GH493-12,-16,-20,-24,-32;
 FC636-12,-16,-20,-24,-32;
 FC736-12,-16,-20,-24,-32; FC500-12,-16,-20,-24;
 FC273B-12,-16;
 GH506-12,-16,-20,-24,-32; FC254-12,-16,-20,-24,-32;
 EC810-12,-16;

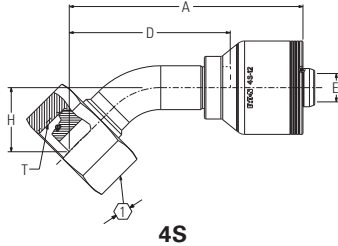
6S Fittings

For use with hoses:

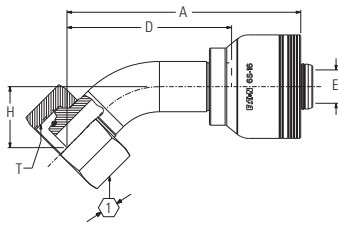
FC500-32;
 FC273B-20,-24,-32;
 FC606-16,-20,-24;
 EC810-20,-24,-32;
 GH466-20,-24

Female Swivel DIN 24° Seat (DSA)

S.Rh DKO (heavy)
 45° Elbow



4S

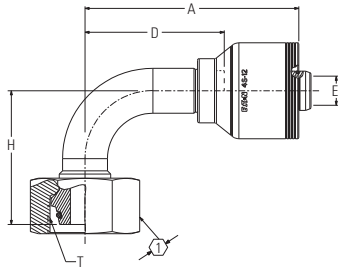


6S

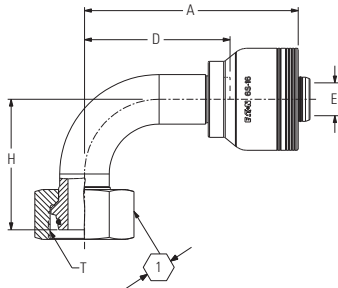
# Part Number	Tube O.D.	Hose Size		Thread	A		D		E Ø		H		1
		DN	Dash size		mm	in	mm	in	mm	in	mm	in	
4S	Dash size	DN	Dash size	Metric	mm	in	mm	in	mm	in	mm	in	mm
4S20DSA12	-20	19	-12	M36X2	116,7	4.59	80,4	3.17	14,2	0.56	32,0	1.26	46,0
4S25DSA12	-25	19	-12	M42X2	130,8	5.15	94,4	3.72	14,2	0.56	35,0	1.38	50,0
4S25DSA16	-25	25	-16	M42X2	134,2	5.28	94,4	3.72	19,2	0.76	35,0	1.38	50,0
4S32DSA16	-32	25	-16	M52X2	145,1	5.71	105,3	4.15	19,2	0.76	39,0	1.54	60,0
4S32DSA20	-32	31	-20	M52X2	161,3	6.35	106,3	4.19	25,2	0.99	39,0	1.54	60,0
6S	Dash size	DN	Dash size	Metric	mm	in	mm	in	mm	in	mm	in	mm
6S25DSA16	-25	25	-16	M42X2	134,1	5.28	94,4	3.72	19,2	0.76	35,0	1.38	50,0
6S32DSA16	-32	25	-16	M52X2	145,1	5.71	105,3	4.15	19,2	0.76	39,0	1.54	60,0
6S32DSA20	-32	31	-20	M52X2	162,4	6.39	106,3	4.19	25,2	0.99	39,0	1.54	60,0

Female swivel DIN 24° Seat (DSB)

S.Rh DKO (heavy)
 90° Elbow



4S



6S

# Part Number	Tube O.D.	Hose Size		Thread	A		D		E Ø		H		1
		DN	Dash size		mm	in	mm	in	mm	in	mm	in	
4S	Dash size	DN	Dash size	Metric	mm	in	mm	in	mm	in	mm	in	mm
4S20DSB12	-20	19	-12	M36X2	103,9	4.09	67,7	2.67	14,2	0.56	65,0	2.56	46,0
4S25DSB12	-25	19	-12	M42X2	122,7	4.83	86,4	3.40	14,2	0.56	76,0	2.99	50,0
4S25DSB16	-25	25	-16	M42X2	124,5	4.90	84,8	3.34	19,2	0.76	76,0	2.99	50,0
4S32DSB16	-32	25	-16	M52X2	136,7	5.38	97,0	3.82	19,2	0.76	89,0	3.50	60,0
4S32DSB20	-32	31	-20	M52X2	153,0	6.02	98,0	3.86	25,2	0.99	89,0	3.50	60,0
6S	Dash size	DN	Dash size	Metric	mm	in	mm	in	mm	in	mm	in	mm
6S25DSB16	-25	25	-16	M42X2	124,5	4.90	84,8	3.34	19,2	0.76	76,0	2.99	50,0
6S32DSB16	-32	25	-16	M52X2	136,7	5.38	97,0	3.82	19,2	0.76	89,0	3.50	60,0
6S32DSB20	-32	31	-20	M52X2	154,2	6.07	98,0	3.86	25,2	0.99	89,0	3.50	60,0

Aeroquip crimp tooling

The below table represents crimp tooling that has been approved to use in the making of hose assemblies with the 4S and 6S fitting series. For complete crimp specifications please visit Eaton's Product Advisor or Eaton's PowerSource applications.

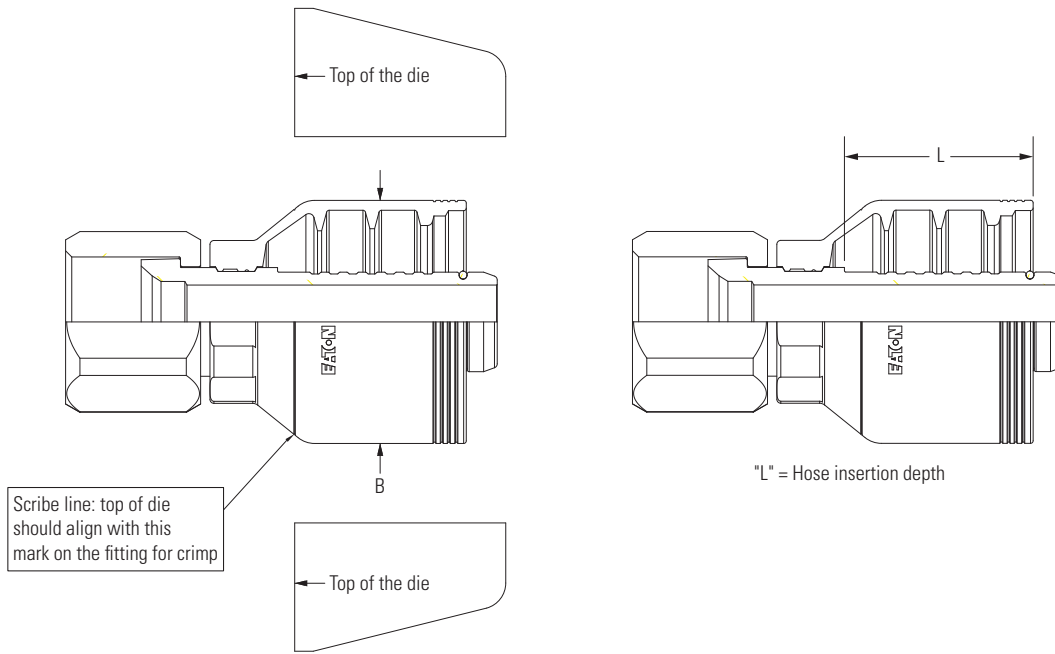
Hose Dash Size	Insertion Depth	Assembly Machine	Tooling for All Hoses	Spacer Ring/Pusher
-12	"4S" depth (36,2 mm) (1.43 in)	ET1000 ET3000	ET1000DC-M360S	ET420SR-M357A T-420-82R ET420SR-M255A T-420-29
		ET1280 FT1380	FT1380-200-M320 FT1380-275-M320 FT1381-200-M320 FT1380-200-M370 FT1380-275-M370 FT1381-200-M370	N/A
		FT1390	FT1307-200-M320 FT1307-200-M370 FT1209-200-82	N/A
		ET5040 ET5050	ET5040DC-M320S ET5040DC-M370S	N/A
-16	"4S" depth (39,8 mm) (1.57 in) "6S" depth (39,8 mm) (1.57 in)	ET3000	ET1000DC-M430S	ET420SR-M357A T-420-82R ET420SR-M255A T-420-29
		ET1280 FT1380	FT1380-200-M420 FT1380-275-M420 FT1380-200-M465 FT1380-275-M465 FT1382-200-M465 FT1382-275-M465	N/A
		FT1390	FT1307-200-M420 FT1307-200-M465	N/A
		ET5040 ET5050	ET5040DC-M420S ET5040DC-M465S	N/A
-20	"4S" depth (55,1 mm) (2.17 in) "6S" depth (55,9 mm) (2.20 in)	ET3000	ET1000DC-M520S	T-420-82R ET420SR-M255A T-420-29
		ET1280 FT1380	FT1382-200-M465 FT1382-275-M465 FT1382-275-M520	N/A
		FT1390	FT1390-200-14 FT1390-200-15	N/A
		ET5040 ET5050	ET5040DC-M465S ET5040DC-M505S ET5040DC-M520S	N/A

Aeroquip crimp tooling

The below table represents crimp tooling that has been approved to use in the making of hose assemblies with the 4S and 6S fitting series. For complete crimp specifications please visit Eaton's Product Advisor or Eaton's PowerSource applications.

Hose Dash Size	Insertion Depth	Assembly Machine	Tooling for All Hoses	Spacer Ring/Pusher
-24	"4S" depth (78,0 mm) (3.07 in)	FT1390	FT1209-200-16 FT1390-200-16 FT1209-200-20 FT1390-200-20	N/A
	"6S" depth (78,0 mm) (3.07 in)	ET5040	ET5040DC-M590S ET5040DC-M620S	N/A
		ET5050	ET5040DC-M590S ET5040DC-M620S	N/A
-32	"4S" depth (78,0 mm) (3.07 in)	FT1390	FT1209-200-21 FT1390-200-21 FT1209-200-23 FT1390-200-23	N/A
	"6S" depth (78,0 mm) (3.07 in)	ET5040	ET5040DC-M720S ET5040DC-M775S	N/A
		ET5050	ET5040DC-M720S ET5040DC-M775S	N/A

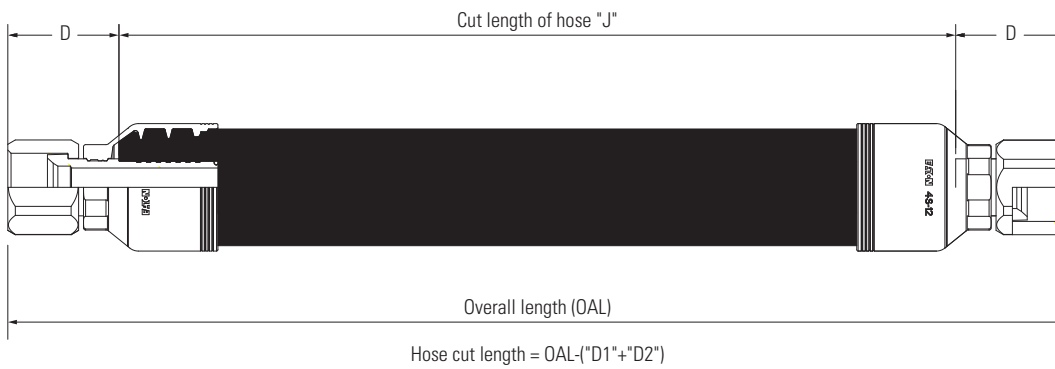
Fitting for crimp die placement



"B" Measure crimp diameter at this location

L Dimension

	mm	inches
4S-12	36,2	1.43
4S-16	39,8	1.57
4S-20	55,1	2.17
4S-24	78,0	3.07
4S-32	78,0	3.07
6S-16	39,8	1.57
6S-20	55,9	2.20
6S-24	78,0	3.07
6S-32	78,0	3.07



Eaton
Hydraulics Group USA
14615 Lone Oak Road
Eden Prairie, MN 55344
USA
Tel: 952-937-9800
Fax: 952-294-7722
www.eaton.com/hydraulics

Eaton
Hydraulics Group Europe
Route de la Longeraie 7
1110 Morges
Switzerland
Tel: +41 (0) 21 811 4600
Fax: +41 (0) 21 811 4601

Eaton
Hydraulics Group Asia Pacific
Eaton Building
No.7 Lane 280 Linhong Road
Changning District,
Shanghai 200335
China
Tel: (+86 21) 5200 0099
Fax: (+86 21) 2230 7240